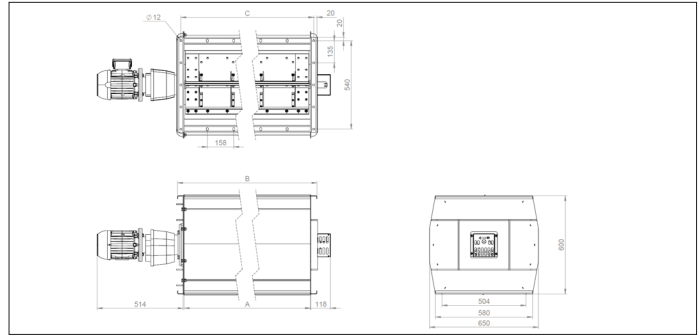
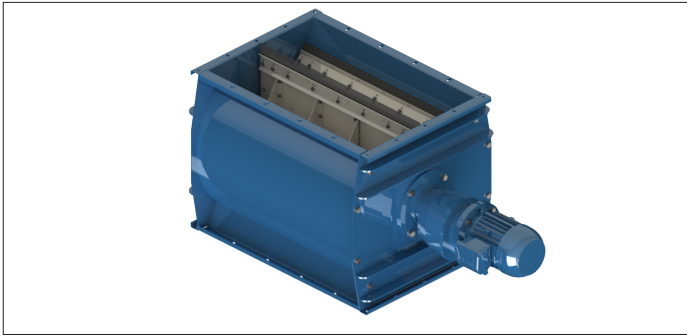


RVB Rotary valves



RVB rotary valves

The RVB rotary valves are designed to discharge dust and other materials from filters and cyclones and treat volumes ranging from 60 to 120 m³/h. They are equipped with a visual rotation indicator.

These rotary valves are produced according to the following harmonized directives/standards :

- 2006/42/EC ; Machine directive
- 2014/35/EC ; Low voltage directive
- 2014/30/EC ; Electromagnetic compatibility directive

Accessories

- Rotation detectors
- Counter flanges
- Replacement rubber blades
- Transport and discharge pipes

Material

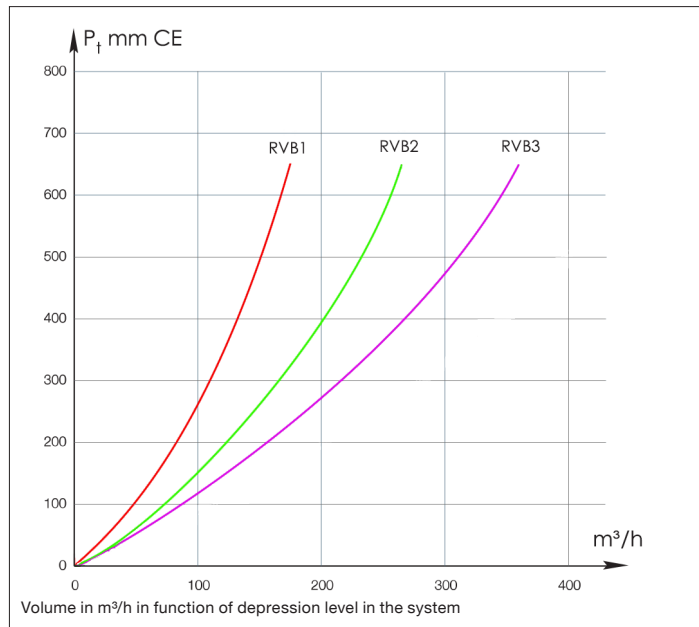
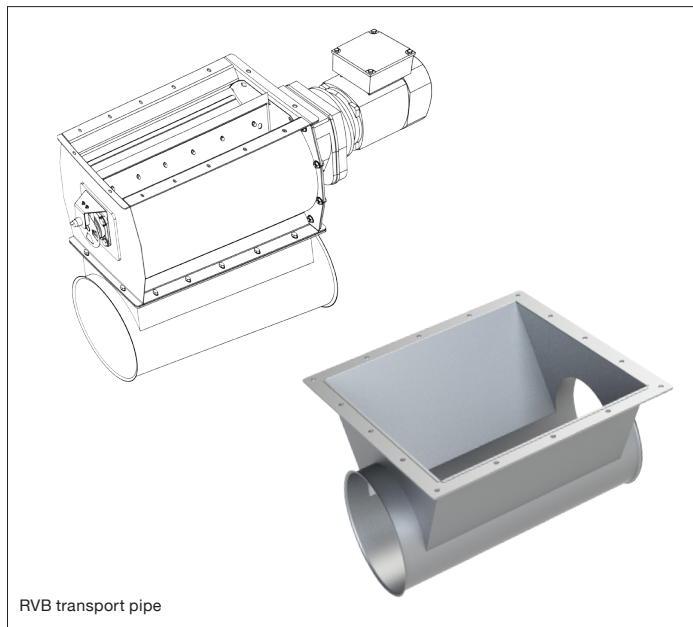
St 37.2 black steel with primary paint and epoxy powder coating RAL 5010.

Type

3 mm rolled plates welded together
End plates bolted to the body
8 chamber rotor with rubber blades

Options

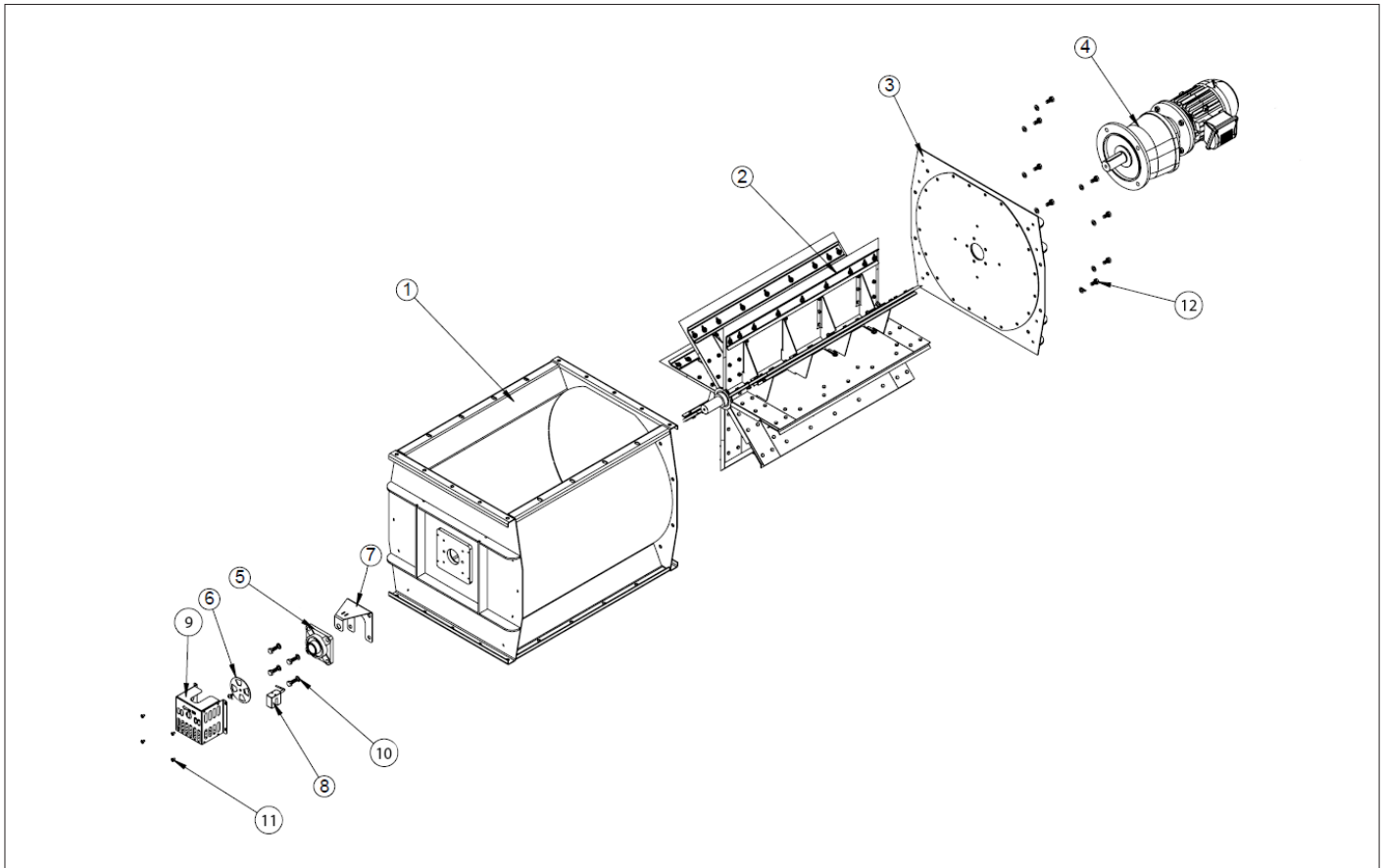
- Galvanized
- Stainless steel (AISI 304L or 316L)
- Other motor powers
- Other RAL colors
- Other blades



Model	Discharge volume (m³/h) ¹⁾	Rot. speed (rpm)	Mot. power (kW)	A (mm)	B (mm)	C modular (mm)	D (mm)	Weight (kg)
RVB1-NX-08	60	21	1.1	500	580	4 x 135	540	140
RVB2-NX-08	90	21	1.1	750	830	5 x 158	790	185
RVB3-NX-08	120	16	1.5	1000	1080	8 x 130	1040	260

¹⁾ Volume output at 50% degree of filling

RVB Rotary valves



Components list for rotary valve type RVB

Please only use original components to guarantee a worry free functioning of the rotary valves.

#	Part	Description
1	Body	ST37, powder coated RAL 5010
2	Rotor	8 rubber blades rotor supported by metal axle, powder coated, incl. felt rings
3	Cover	ST37, powder coated RAL 5010
4	Motor and gear	1.1 kW or 1.5 kW
5	Bearing housing	Cast iron square- flanges housing
6	Rotation disc	Galvanized steel
7	Detector holder	Galvanized steel
8	Rotation detector	Two options (see below)
9	Rotation disk cover	ST37, powder coated RAL 5010
10	Bolts and Washers M8	Galvanized steel
11	Bolts M5 x 10	Galvanized steel
12	Bolts, nuts and Washers M8	Galvanized steel



Position detector for rotary valve type RVB

Type	Housing	Output function	Output	System	Connection	Mounting	Sensing range
Housing Fork Shaped detector	16 x 20 x 1	NO (Normally Open)	DC NPN	Proximity Sensor	Cable	-	-
M18 Housing detector	M18 x 50	NC (Normally closed)	NAMUR	Proximity Sensor	Cable	Flush	From 4 to 6 mm