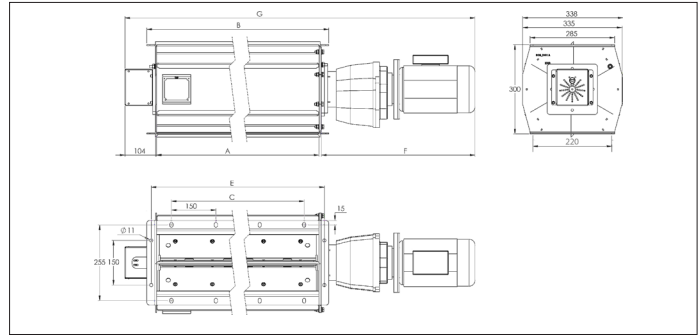


RVA-X ATEX Rotary valves



RVA-X ATEX rotary valves

The RVA-X ATEX rotary valves are designed to discharge dust and other materials from filters and cyclones and treat volumes ranging from 9 to 35 m<sup>3</sup>/h. They are equipped with a visual rotation indicator.

These rotary valves are produced according to the following harmonized Directives/Standards :

- 2014/34/EC : ATEX Directive
- 2006/42/EC : Machine Directive
- 2014/35/EC : Low voltage Directive
- 2014/30/EC : Electromagnetic compatibility Directive

And are available in ATEX executions :

- RVA\*-X1-06 : ATEX Zone 20 interior / Zone 21 exterior
- RVA\*-X2-06 : ATEX Zone 20 interior / Zone 22 exterior
- RVA\*-X3-06 : ATEX Zone 20 interior / Safe zone exterior

Material

St 37.2 black steel with primary paint and epoxy powder coating RAL 3020, temperature resistance : +80°C.

6 chamber rotor with rubber blades, Temperature range -20°C up to +60°C.

Type

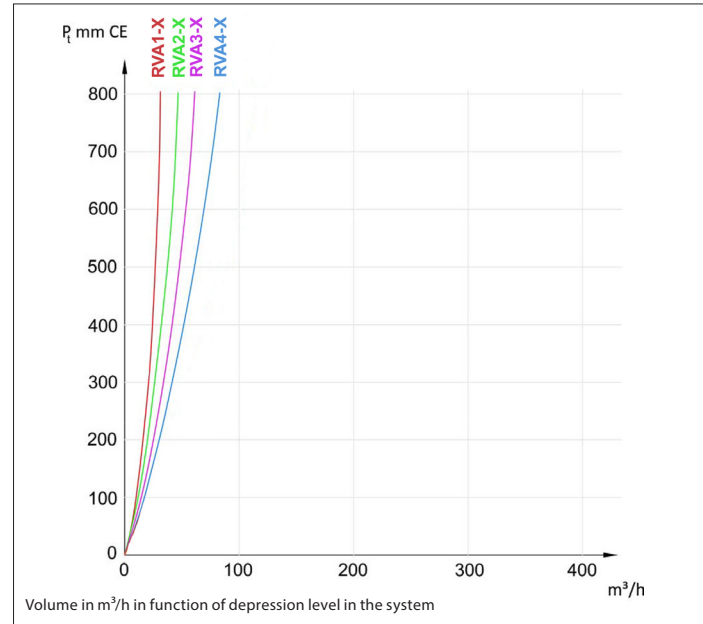
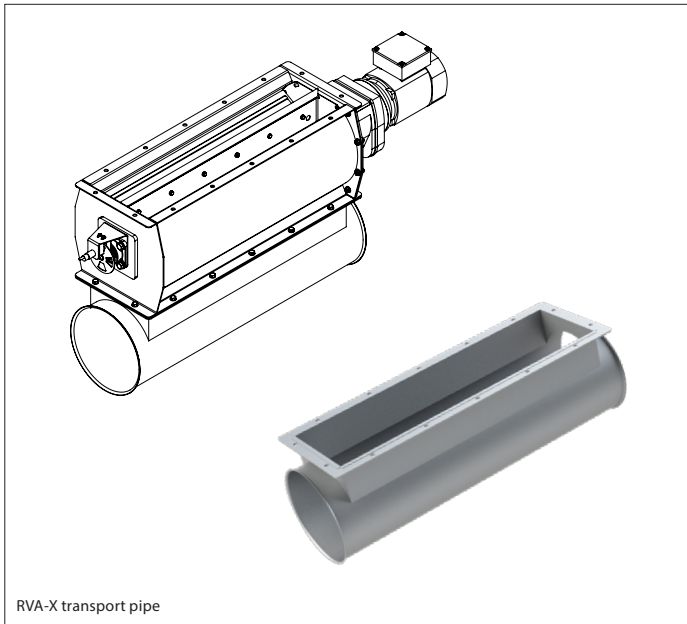
3 mm rolled plates welded together, end plates bolted to the body. St1 (Kst 200 Bar m/s), MIE ≥ 13 mJ, MIT ≥ 430°C.

Options

- Other RAL colors

Accessories

- Rotation detector
- Counter flanges
- Replacement rubber blades
- Transport and discharge pipes

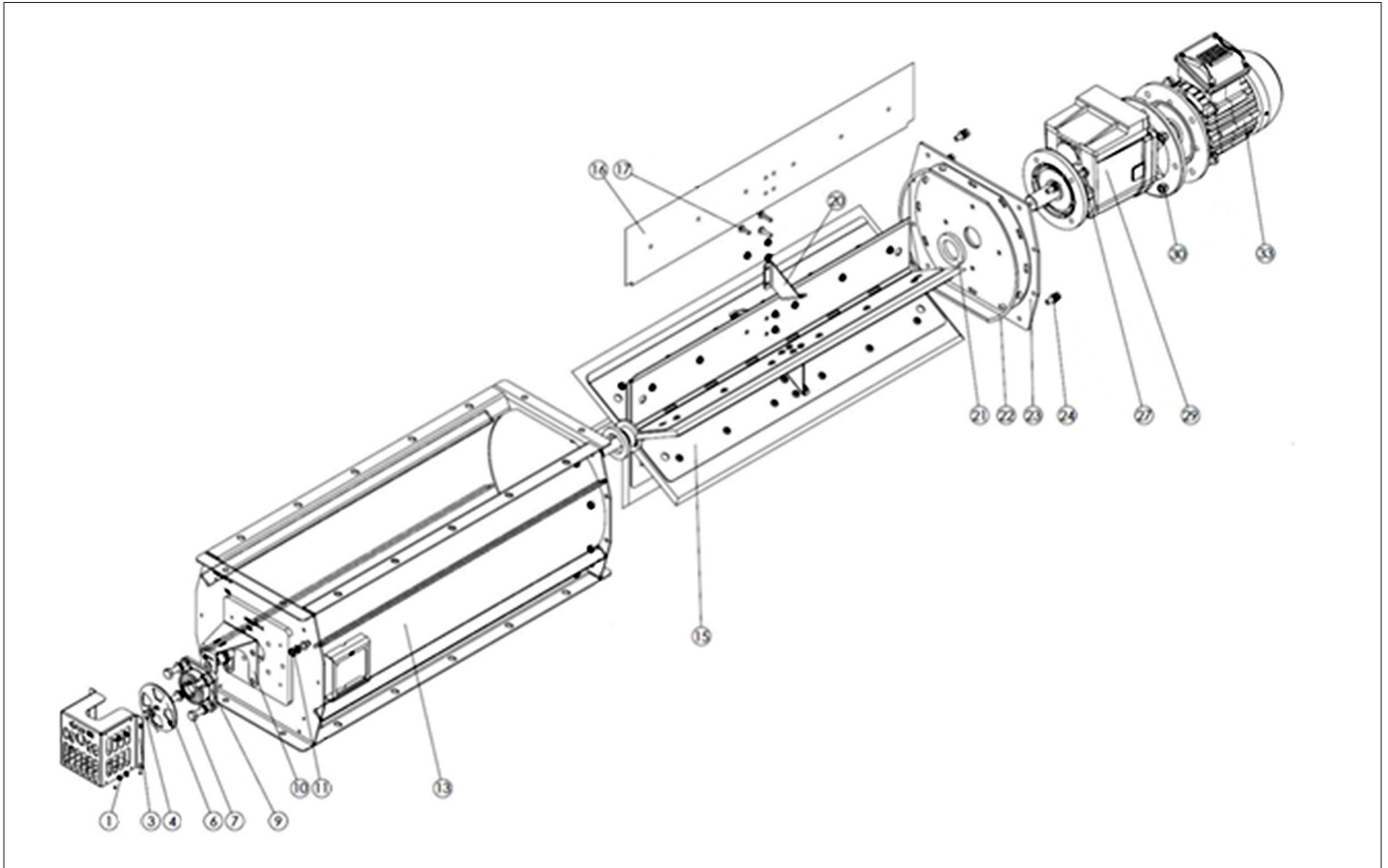


| Model      | Discharge volume (m <sup>3</sup> /h) <sup>1)</sup> | Rot. speed (rpm) | Mot. power (kW) | A (mm) | B (mm) | C (mm) | E (mm) | F (mm) | G (mm) | C modular (mm) | Weight (kg) |
|------------|--|------------------|-----------------|--------|--------|--------|--------|--------|--------|----------------|-------------|
| RVA1-Xi-06 | 9  | 19               | 0.37            | 250    | 316    | 150    | 286    | 418    | 782    | 1 x 150        | 48          |
| RVA2-Xi-06 | 17   | 19               | 0.55            | 500    | 566    | 450    | 536    | 494    | 1108   | 3 x 150        | 74          |
| RVA3-Xi-06 | 26   | 19               | 0.55            | 750    | 816    | 600    | 786    | 494    | 1359   | 4 x 150        | 91          |
| RVA4-Xi-06 | 35   | 19               | 0.55            | 1000   | 1066   | 900    | 1036   | 494    | 1609   | 6 x 150        | 107         |

<sup>1)</sup> Volume output at 50% degree of filling

<sup>1)</sup> 1, 2 or 3 according to ATEX marking on the rotary valve

RVA-X ATEX Rotary valves



Components list for ATEX rotary valve type RVA-X

Please only use original components to guarantee a worry free functioning of the rotary valves.

| #  | Part                                | Description                                |
|----|-------------------------------------|--|
| 1  | Bolt set for rotation disc cover    | Bolts and washers M5 (4 pieces)            |
| 3  | Rotating disc cover                 | Steel cover powder coated in RAL 5010      |
| 4  | Bolt set for rotation disc          | Bolt and washer for rotation disc          |
| 6  | Rotation disc                       | Rotation disc powder coated in RAL 3020    |
| 7  | Bolt set for flanged bearing        | Bolts and washers M10 (4 pieces)           |
| 9  | Bearing                             | Flanged bearing                            |
| 10 | Sensor holder                       | Sensor holder                              |
| 11 | Bolts set for front cover plate     | Bolts, nuts and washers M8 (8 pieces)      |
| 13 | Rotary valve body                   | Steel casing powder coated in RAL 5010     |
| 15 | Rotary valve rotor                  | Steel rotor                                |
| 16 | Rotor blades for RVA-X rotary valve | Set of 6 neoprene rotor blade              |
| 17 | Bolt set for rotor                  | Bolts, nuts and washers M6                 |
| 20 | Rotor vane reinforcement            | Set of 6 vane reinforcements               |
| 21 | Felt ring set                       | Felt ring (2 pieces)                       |
| 22 | Butyl strip                         | Butyl strip (1m)                           |
| 23 | Rear cover plate                    | Steel rear cover powder coated in RAL 5010 |
| 24 | Bolt set for rear cover plate       | Bolts, nuts and washers M8 (8 pieces)      |
| 27 | Bolt set for gear                   | Bolts, nuts and washers M8 (4 pieces)      |
| 29 | Gearbox                             | Gearbox for rotary valve RVA-ATEX          |
| 30 | Bolt set for motor                  | Bolts, nuts and washers M8 (4 pieces)      |
| 33 | Motor                               | B5 motor for rotary valve RVA-ATEX         |

NCEB000002 Position detector accessory for ATEX rotary valve type RVA-X

| Type                 | Housing  | Output function      | Output | System           | Connection | Mounting | Sensing range |
|----------------------|----------|----------------------|--------|------------------|------------|----------|---------------|
| M18 Housing detector | M18 x 55 | NC (Normally closed) | NAMUR  | Proximity Sensor | Cable      | Flush    | 8 mm          |