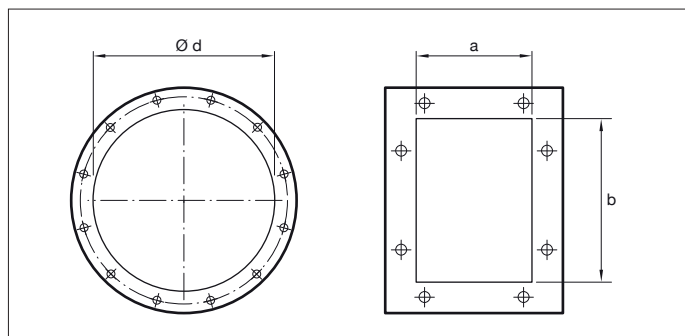
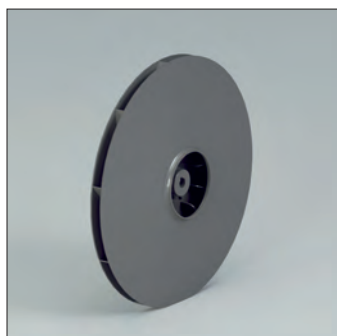
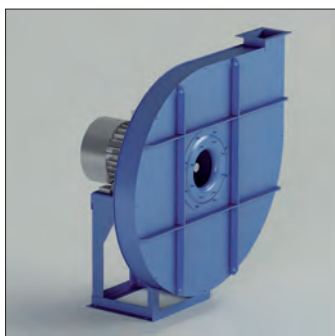


VC-N - VC-N/T

VC-N - VC-N/T

Direct and indirect driven centrifugal fans.

Impeller with negative (backwards curved) blades.

Application

For the transport of clean air.

Application area

Low-medium air volumes, high pressures.

Technical specifications:

Air volume: 150 up to 10.000 m³/h

Total pressure: 160 up to 2.850 daPa.

Model	Installed power (kW)	Axle height mm	Poles	Inlet \varnothing d mm	Outlet dimensions a x b mm	Inspection door	Welding fan housing
VC500/N2R	1.1	80	2	140	76 x 105	Optional	Optional
VC500/N2	1.5	90	2	140	76 x 105	Optional	Optional
VC560/N2R	1.5	90	2	160	85 x 117	Optional	Optional
VC560/N2	2.2	90	2	160	85 x 117	Optional	Optional
VC630/N2R	3	100	2	180	95 x 131	Optional	Optional
VC630/N2R	4	112	2	180	95 x 131	Optional	Optional
VC630/N2	4	112	2	180	95 x 131	Optional	Optional
VC630/N2	5.5	132	2	180	95 x 131	Optional	Optional
VC710/N2R	5.5	132	2	200	105 x 146	Optional	Included
VC710/N2R	7.5	132	2	200	105 x 146	Optional	Included
VC710/N2	7.5	132	2	200	105 x 146	Optional	Included
VC710/N2	11	160	2	200	105 x 146	Optional	Included
VC800/N2R	7.5	132	2	225	117 x 166	Optional	Included
VC800/N2R	11	160	2	225	117 x 166	Optional	Included
VC800/N2	11	160	2	225	117 x 166	Optional	Included
VC800/N2	15	160	2	225	117 x 166	Optional	Included
VC900/N2R	15	160	2	250	131 x 185	Optional	Included
VC900/N2R	18.5	160	2	250	131 x 185	Optional	Included
VC900/N2	18.5	160	2	250	131 x 185	Optional	Included
VC900/N2	22	180	2	250	131 x 185	Optional	Included
VC1000/N2R	30	200	2	275	148 x 207	Optional	Included
VC1000/N2R	37	200	2	275	148 x 207	Optional	Included
VC1000/N2	37	200	2	275	148 x 207	Optional	Included
VC1000/N2	45	225	2	275	148 x 207	Optional	Included
VC1120/N2R	45	225	2	325	166 x 231	Optional	Included
VC1120/N2R	55	250	2	325	166 x 231	Optional	Included
VC1120/N2	55	250	2	325	166 x 231	Optional	Included
VC1120/N2	75	280	2	325	166 x 231	Optional	Included

VC-N - VC-N/T

DELIVERY CHARACTERISTICS

• Load tolerance ±5%

• Fan type	• Motor	P inst. [kW]	n	LpA [dB(A)]	Q [m³/h]											
					215	252	288	324	360	400	430	470	540	650	720	
VC500/N2R	80	1,1	2845	62	401	404	408	412	415	417	416	415	413	403		
VC500/N2	90	1,5	2845	63	433	437	440	444	447	450	451	452	450	444	438	
VC560/N2R	90	1,5	2845	64		502	505	511	516	518	520	522	525			
VC560/N2	90	2,2	2890	66			556	563	568	572	574	577	579	583	584	
VC630/N2R	100	3	2900	67			644	649	651	656	658	662	667	673	675	
VC630/N2R	112	4	2900	67			644	649	651	656	658	662	667	673	675	
VC630/N2	112	4	2900	68				730	734	739	741	746	752	759	764	
VC630/N2	132	5,5	2925	68				742	746	751	753	758	764	771	776	
VC710/N2R	132	5,5	2925	70					872	877	880	884	889	896	902	
VC710/N2R	132	7,5	2930	70						878	881	885	890	897	903	
VC710/N2	132	7,5	2930	71						976	980	984	991	1000	1005	
VC710/N2	160	11	2940	71						983	987	991	998	1007	1012	
VC800/N2R	132	7,5	2930	72							1088	1095	1102	1110	1117	
VC800/N2R	160	11	2940	72							1095	1102	1109	1117	1124	
VC800/N2	160	11	2940	73								1244	1251	1262	1266	
VC800/N2	160	15	2950	73								1252	1259	1270	1274	
VC900/N2R	160	15	2950	76										1417	1425	1430
VC900/N2R	160	18,5	2950	76										1417	1425	1430
VC900/N2	160	18,5	2950	78											1586	1595
VC900/N2	180	22	2960	78											1596	1605
VC1000/N2R	200	30	2960	79												
VC1000/N2R	200	37	2960	79												
VC1000/N2	200	37	2960	81												
VC1000/N2	225	45	2970	81												
VC1120/N2R	225	45	2970	82												
VC1120/N2R	250	55	2980	82												
VC1120/N2	250	55	2980	83												
VC1120/N2	280	75	2980	83												

SUCTION CHARACTERISTICS

• Load tolerance ±5%

• Fan type	• Motor	P inst. [kW]	n	LpA [dB(A)]	Q [m³/h]										
					215	252	288	324	360	400	430	470	540	650	720
VC500/N2R	80	1,1	2845	62	384	385	388	391	392	392	390	387	382	366	
VC500/N2	90	1,5	2845	63	413	416	418	420	422	423	423	422	416	404	393
VC560/N2R	90	1,5	2845	64		477	479	483	487	488	489	489	490		
VC560/N2	90	2,2	2890	66			525	530	534	537	538	539	539	538	536
VC630/N2R	100	3	2900	67			604	608	610	614	615	618	620	623	623
VC630/N2R	112	4	2900	67			604	608	610	614	615	618	620	623	623
VC630/N2	112	4	2900	68				680	683	686	688	691	695	698	701
VC630/N2	132	5,5	2925	68				690	693	697	698	702	705	709	711
VC710/N2R	132	5,5	2925	70					802	806	809	811	815	819	823
VC710/N2R	132	7,5	2930	70					803	807	809	812	816	820	824
VC710/N2	132	7,5	2930	71						890	893	896	901	906	909
VC710/N2	160	11	2940	71						896	899	901	906	912	915
VC800/N2R	132	7,5	2930	72							983	988	994	999	1004
VC800/N2R	160	11	2940	72							989	994	999	1005	1010
VC800/N2	160	11	2940	73								1109	1114	1122	1124
VC800/N2	160	15	2950	73								1115	1120	1128	1130
VC900/N2R	160	15	2950	76									1245	1250	1254
VC900/N2R	160	18,5	2950	76									1245	1250	1254
VC900/N2	160	18,5	2950	78										1373	1379
VC900/N2	180	22	2960	78										1381	1387
VC1000/N2R	200	30	2960	79											
VC1000/N2R	200	37	2960	79											
VC1000/N2	200	37	2960	81											
VC1000/N2	225	45	2970	81											
VC1120/N2R	225	45	2970	82											
VC1120/N2R	250	55	2980	82											
VC1120/N2	250	55	2980	83											
VC1120/N2	280	75	2980	83											

VC-N - VC-N/T

•Noise tolerance ±4dB(A)

																		Q [m³/h]																			
																		1800	2160																		
																		pt[mmH ₂ O]																			
430																																					
582																																					
579																																					
676																																					
675																																					
674																																					
665																																					
676																																					
675																																					
674																																					
665																																					
652																																					
630																																					
766																																					
769																																					
771																																					
769																																					
765																																					
778																																					
781																																					
783																																					
782																																					
778																																					
768																																					
754																																					
744																																					
907																																					
910																																					
913																																					
917																																					
915																																					
913																																					
910																																					
908																																					
911																																					
914																																					
918																																					
916																																					
914																																					
911																																					
905																																					
880																																					
1009																																					
1014																																					
1017																																					
1024																																					
1028																																					
1030																																					
1029																																					
1025																																					
1019																																					
1016																																					
1021																																					
1024																																					
1031																																					
1035																																					
1037																																					
1036																																					
1032																																					
1026																																					
990																																					
936																																					
1120																																					
1125																																					
1130																																					
1140																																					
1144																																					
1127																																					
1132																																					
1137																																					
1147																																					
1151																																					
1156																																					
1159																																					
1161																																					
1159																																					
1147																																					
1116																																					
1271																																					
1274																																					
1281																																					
1293																																					
1297																																					
1302																																					
1310																																					
1310																																					
1314																																					
1318																																					
1279																																					
1282																																					
1289																																					
1301																																					
1305																																					
1310																																					
1318																																					
1322																																					
1326																																					
1325																																					
1308																																					
1295																																					
1433																																					
1437																																					
1443																																					
1455																																					
1465																																					
1473																																					
1476																																					
1483																																					
1493																																					
1498																																					
1433																																					
1437																																					
1443																																					
1455																																					
1465																																					
1473																																					
1476																																					
1483																																					
1493																																					
1498																																					
1498																																					
1493																																					
1478																																					
1599																																					
1605																																					
1611																																					
1616																																					
1623																																					
1635																																					
1641																																					
1652																																					
1662																																					
1673																																					
1609																																					
1615																																					
1621																																					
1626																																					
1633																																					
1645																																					
1651																																					
1662																																					
1672																																					
1683																																					
1693																																					
1695																																					
1688																																					
1780																																					
1790																																					
1795																																					
1800																																					
1810																																					
1815																																					
1820																																					
1830																																					
1845																																					
1865																																					
1875																																					
1880																																					
1890																																					
1780																																					
1790																																					
1795																																					
1800																																					
1810																																					
1815																																					
1820																																					
1830																																					
1845																																					
1865																																					
1875																																					
1880																																					
1890																																					
1885																																					
1860																																					
1975																																					
1985																																					
1995																																					
2005																																					
2010																																					
2020																																					
2035																																					
2040																																					
2060																																					
2075																																					
2085																																					
2095																																					
2000																																					
2010																																					
2020																																					
2025																																					
2035																																					
2050																																					
2055																																					
2075																																					
2090																																					
2100																																					
2110																																					
2100																																					
2070																																					
1990																																					
2230																																					
2235																																					
2240																																					
2250																																					
2260																																					
2275																																					
2295																																					
2310																																					
2325																																					
2340																																					
2355																																					
2365																																					
2380																																					
2375																																					
2245																																					
2250																																					
2255																																					
2265																																					
2275																																					
2290																																					
2310																																					
2325																																					
2340																																					
2355																																					
2365																																					
2380																																					
2375																																					
2505																																					
2510																																					
2520																																					
2525																																					
2535																																					
2555																																					
2575																																					
2590																																					
2615																																					
2625																																					
2505																																					
2510																																					
2520																																					
2525																																					
2535																																					
2555																																					
2575																																					
2590																																					
2615																																					
2625																																					
2650																																					
2660																																					
2650																																					

•Noise tolerance ±4dB(A)

																		Q [m³/h]																			
																		1800	2160																		
																		pt[mmH ₂ O]																			
380																																					
530																																					
523																																					
622																																					
618																																					
615																																					
600																																					
622																																					
618																																					
615																																					
600																																					
582																																					
554																																					
700																																					
701																																					
700																																					
692																																					
682																																					
711																																					
711																																					
710																																					
703																																					
693																																					
677																																					
660																																					
640																																					
826																																					
827																																					
828																																					
827																																					
821																																					
815																																					
809																																					
827																																					
828																																					
828																																					
828																																					
822																																					
815																																					
810																																					
798																																					
769																																					
911																																					
914																																					
915																																					
917																																					
916																																					
913																																					
910																																					
899																																					
886																																					
917																																					
920																																					
921																																					
923																																					
922																																					
919																																					
916																																					
905																																					
892																																					
892																																					
919																																					
776																																					
1006																																					
1009																																					
1012																																					
1018																																					
1019																																					
1011																																					
1015																																					
1018																																					
1024																																					
1024																																					
1026																																					
1027																																					
1024																																					
1018																																					
1043																																					
959																																					
1127																																					
1129																																					
1133																																					
1141																																					
1142																																					
1143																																					
1148																																					
1147																																					
1146																																					
1134																																					
1135																																					
1140																																					
1147																																					
1148																																					
1149																																					
1154																																					
1153																																					
1152																																					
1187																																					
1115																																					
1090																																					
1256																																					
1258																																					
1262																																					
1270																																					
1276																																					
1281																																					
1282																																					
1285																																					
1290																																					
1317																																					
1256																																					
1258																																					
1262																																					
1270																																					
1276																																					
1281																																					
1282																																					
1285																																					
1290																																					
1317																																					
1280																																					
1268																																					
1246																																					
1382																																					
1386																																					
1390																																					
1392																																					
1396																																					
1404																																					
1407																																					
1413																																					
1418																																					
1450																																					
1390																																					
1393																																					
1397																																					
1400																																					
1404																																					
1411																																					
1415																																					
1421																																					
1425																																					
1457																																					
1428																																					
1421																																					
1406																																					
1517																																					
1524																																					
1527																																					
1530																																					
1536																																					
1539																																					
1542																																					
1548																																					
1557																																					
1587																																					
1571																																					
1570																																					
1571																																					
1517																																					
1524																																					
1527																																					
1530																																					
1536																																					
1539																																					
1542																																					
1548																																					
1557																																					
1587																																					
1571																																					
1570																																					
1571																																					
1562																																					
1525																																					
1656																																					
1662																																					
1669																																					
1675																																					
1678																																					
1683																																					
1692																																					
1711																																					
1702																																					
1708																																					
1710																																					
1711																																					
1667																																					
1673																																					
1679																																					
1685																																					
1688																																					
1694																																					
1703																																					
1721																																					
1713																																					
1719																																					
1720																																					
1721																																					
1697																																					
1654																																					
1570																																					
1832																																					
1835																																					
1838																																					
1845																																					
1851																																					
1860																																					
1883																																					
1879																																					
1886																																					
1893																																					
1896																																					
1895																																					
1843																																					
1845																																					
1848																																					
1855																																					
1861																																					
1870																																					
1893																																					
1889																																					
1896																																					
1903																																					
1906																																					
1905																																					
1889																																					
2014																																					
2017																																					
2023																																					
2026																																					
2031																																					
2054																																					
2053																																					
2060																																					
2073																																					
2076																																					
2014																																					
2017																																					
2023																																					
2026																																					
2031																																					
2054																																					
2053																																					
2060																																					
2073																																					
2076																																					
2082																																					
2076																																					
2055																																					
2026																																					

The A-weighted sound power level, LpA (Chap.13), is the value measured in test conditions at the point of maximum noise level.

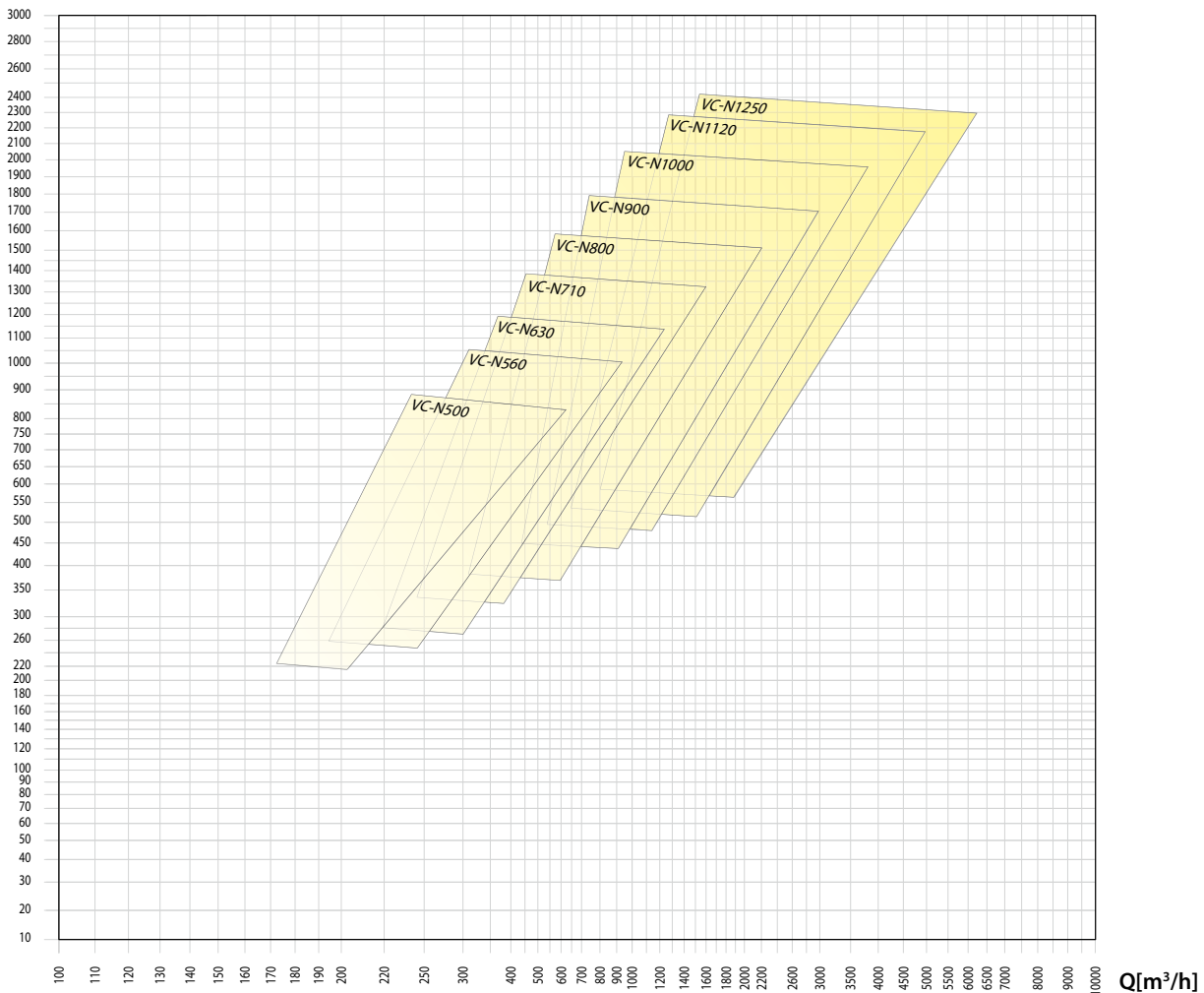
VC-N - VC-N/T

•Size	• Max rpm		
	CLASSE I	CLASSE II	CLASSE III
VC500	5000		
VC560/R	5000		
VC560	4700	5000	
VC630/R	4400	4850	
VC630	4100	4550	5000
VC710/R	3700	4100	4500
VC710	3550	3850	4250
VC800/R	3400	3700	4000
VC800	3250	3550	3850
VC900/R	3100	3400	3700
VC900	2950	3250	3550
VC1000/R	3100	3550	3850
VC1000	3300	3550	3900
VC1120/R	3200	3450	3700
VC1120	3000	3250	3500
VC1250/R	2800	3000	3200
VC1250	2650	2800	3000

• Values valid up to 60°C

• between	60°C	• and	100°C	• degrade speed	4%
	100°C		150°C		10%
	150°C		200°C		16%
	200°C		250°C		23%
	250°C		300°C		30%
	300°C		350°C		37%
	350°C		400°C		45%
	400°C		450°C		54%
	450°C		500°C		64%

pt [mmH₂O]



FAT07.FM.2014V2.0.UK