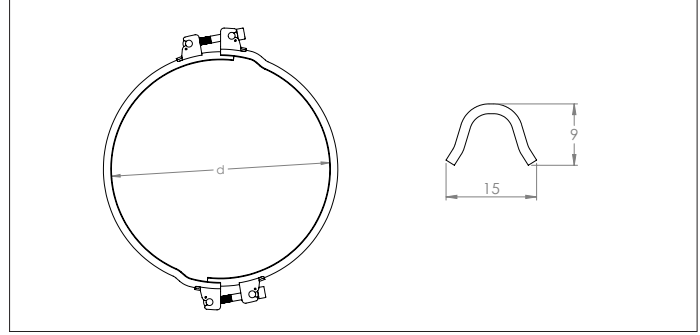


Pull rings without seal GAAG



Pull rings without seal GAAG

Rings without seal for use with seals. The seals are sold separately depending on the sheet thickness used. For unpressurized, over-pressure or under-pressure systems.

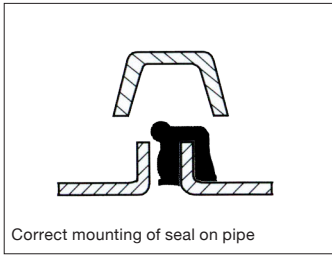
❗ For assembly of ducting from 0.75 mm up to 3 mm. Specify ducting thickness when ordering the seals. (see seals GZFA, GZFB & GZFC)

Material

Galvanized steel

Options

- Other diameters
- Stainless steel AISI 304 (GBAG)



Ø	Code	Ød mm	S mm	Weight kg
80	GAAG000001	85	1.75	0.26
100	GAAG000002	105	1.75	0.29
120	GAAG000003	125	1.75	0.35
125	GAAG000024	130	1.75	0.35
140	GAAG000004	145	1.75	0.37
150	GAAG000005	155	1.75	0.39
160	GAAG000006	165	1.75	0.40
180	GAAG000008	185	1.75	0.42
200	GAAG000009	205	1.75	0.46
224	GAAG000010	229	1.75	0.51
250	GAAG000011	255	1.75	0.52
280	GAAG000013	285	1.75	0.53
300	GAAG000014	305	1.75	0.58
315	GAAG000015	320	1.75	0.61
350	GAAG000016	355	1.75	0.65
400	GAAG000017	405	1.75	0.71
450	GAAG000018	455	1.75	0.77
500	GAAG000019	505	1.75	0.83
550	GAAG000020	555	1.75	0.89
560	GAAG000021	565	1.75	0.91
600	GAAG000022	605	1.75	0.95
630	GAAG000023	635	1.75	0.99