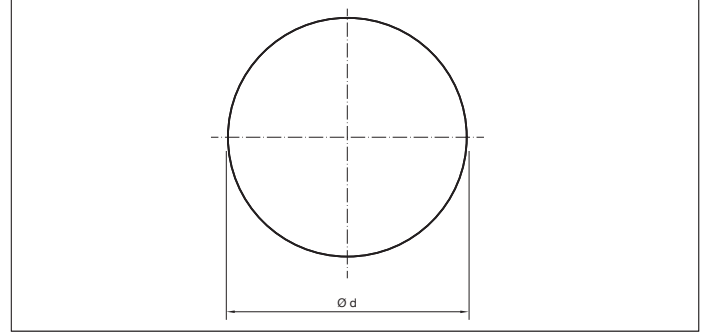
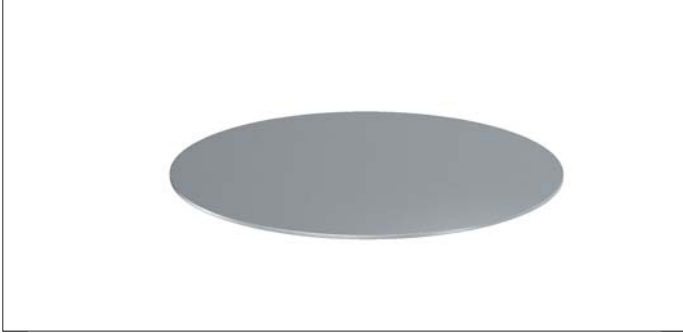


## BDZB Blanking plates



### BDZB Blanking plates

Blanking plates are designed to close off a line, for example at the end of a pipe or a branch that is not used.

### Material

2.00 mm stainless steel AISI 304, chronital blasted.

### Type

Cut sheets with 6 mm edges for lock rings.

### Options

- FDA and EU compliant food-grade quality
- powder coated versions in other sheet thickness
- equipotential equalization
- other diameters

Ø d mm	Code	A mm	s mm	Weight kg
100	BDZB000002	114	2.00	0.25
120	BDZB000003	134	2.00	0.22
140	BDZB000004	150	2.00	0.28
150	BDZB000005	164	2.00	0.33
160	BDZB000006	174	2.00	0.57
175	BDZB000007	189	2.00	0.80
200	BDZB000008	216	2.00	0.44
224	BDZB000009	234	2.00	0.66
250	BDZB000010	264	2.00	0.87
280	BDZB000011	293	2.00	0.89
300	BDZB000012	314	2.00	0.91
315	BDZB000013	328	2.00	0.66
350	BDZB000014	364	2.00	0.42
400	BDZB000015	414	2.00	0.67
450	BDZB000016	464	2.00	0.91
500	BDZB000017	514	2.00	2.35
550	BDZB000018	564	2.00	2.18
560	BDZB000019	573	2.00	2.00
600	BDZB000020	614	2.00	4.80
630	BDZB000021	643	2.00	5.04