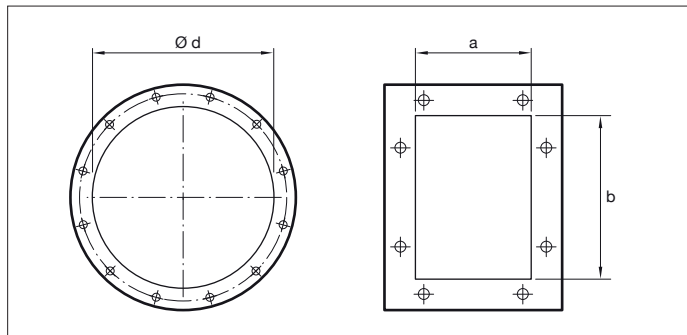
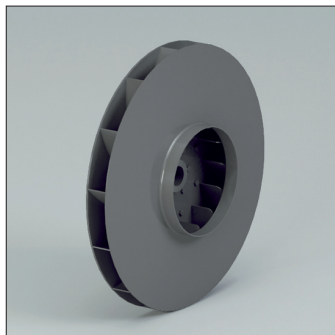
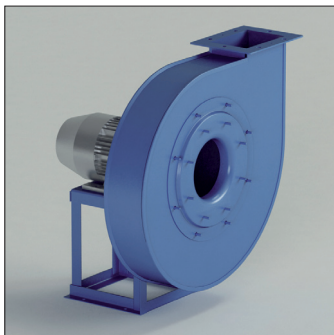


Centrifugaal ventilator VG-N - VG-N/T

VG-N - VG-N/T

Direct and indirect driven centrifugal fans.

Impeller with negative (backwards curved) blades.

Application

For the transport of clean air.

Application area

Low-medium air volumes, high pressures.

Technical specifications:

Air volume: 300 up to 32.000 m³/h

Total pressure: 75 up to 2.200 daPa.

Model	Installed power (kW)	Axle height mm	Poles	Inlet $\varnothing d$ mm	Outlet dimensions a x b mm	Inspection door	Welded fan housing
VG400/N2	1.5	90	2	180	95 x 131	Optional	Optional
VG450/N2	2.2	90	2	200	105 x 146	Optional	Optional
VG500/N2R	3	100	2	225	117 x 166	Optional	Optional
VG500/N2	4	112	2	225	117 x 166	Optional	Optional
VG560/N2R	5.5	132	2	250	131 x 185	Optional	Optional
VG560/N2	7.5	132	2	250	131 x 185	Optional	Optional
VG630/N2R	11	160	2	275	148 x 207	Optional	Optional
VG630/N2	11	160	2	275	148 x 207	Optional	Optional
VG630/N2	15	160	2	275	148 x 207	Optional	Optional
VG710/N2R	18.5	160	2	325	166 x 231	Optional	Included
VG710/N2R	22	180	2	325	166 x 231	Optional	Included
VG710/N2	22	180	2	325	166 x 231	Optional	Included
VG710/N2	30	200	2	325	166 x 231	Optional	Included
VG800/N2R	30	200	2	350	185 x 258	Optional	Included
VG800/N2R	37	200	2	350	185 x 258	Optional	Included
VG800/N2	37	200	2	350	185 x 258	Optional	Included
VG800/N2	45	225	2	350	185 x 258	Optional	Included
VG900/N2R	45	225	2	400	205 x 288	Optional	Included
VG900/N2R	55	250	2	400	205 x 288	Optional	Included
VG900/N2	55	250	2	400	205 x 288	Optional	Included
VG900/N2	75	280	2	400	205 x 288	Optional	Included
VG1000/N2R	90	280	2	450	229 x 322	Optional	Included
VG1000/N2R	110	315	2	450	229 x 322	Optional	Included
VG1000/N2	110	315	2	450	229 x 322	Optional	Included
VG1000/N2	132	315	2	450	229 x 322	Optional	Included

Centrifugaal ventilator VG-N - VG-N/T

DELIVERY CHARACTERISTICS

•Load tolerance ±5%

• Fan	Motor	P inst. [kW]	n	LpA [dB(A)]	Q [m ³ /h]												
					500	575	720	865	1080	1260	1440	1620	1800	2160	2520	2880	
VG450/N2	90	2,2	2920	63	392	396	402	405	405	401	394	384					
VG500/N2R	100	3	2920	67	424	428	435	440	443	442	438	431	422	398			
VG500/N2	112	4	2940	68		484	492	499	505	508	507	505	500	485	463		
VG560/N2R	132	5,5	2940	70			546	554	562	567	570	571	569	562	548	528	
VG560/N2	132	7,5	2950	71				614	625	631	636	640	641	640	632	620	
VG630/N2R	160	11	2960	73					690	698	704	710	713	717	715	709	
VG630/N2	160	11	2960	74							792	799	805	813	817	817	
VG630/N2	160	15	2960	74							792	799	805	813	817	817	
VG710/N2R	160	18,5	2960	75										963	974	977	
VG710/N2R	180	22	2960	75										963	974	977	
VG710/N2	180	22	2960	76												1092	
VG710/N2	200	30	2970	77													1100
VG800/N2R	200	30	2970	76													
VG800/N2R	200	37	2970	79													
VG800/N2	200	37	2970	77													
VG800/N2	225	45	2970	79													
VG900/N2R	225	45	2970	78													
VG900/N2R	250	55	2970	79													
VG900/N2	250	55	2970	79													
VG900/N2	280	75	2970	81													
VG1000/N2R	280	90	2970	81													
VG1000/N2R	315	110	2980	84													
VG1000/N2	315	110	2980	82													
VG1000/N2	315	132	2980	84													

Centrifugaal ventilator VG-N - VG-N/T

•Noise tolerance $\pm 4dB(A)$

																	Q [m ³ /h]	
3240	3600	3960	4320	4680	5400	6120	7200	7920	9000	10080	10800	12600	14400	16200	18000	19800		
																	pt[mmH ₂ O]	
603	582	557																
698	683	666	644	627														
813	806																	
813	806	796	782	766	727													
974	966	954	938	917	867	807												
974	966	954	938	917	867	807	706											
1096	1096	1092	1084	1072	1040	996												
1104	1104	1100	1092	1080	1048	1004	922	860										
	1260	1264	1265	1263	1249	1223	1169											
	1260	1264	1265	1263	1249	1223	1169	1123	1043	955								
			1400	1402	1400	1388	1344	1320										
			1400	1402	1400	1388	1344	1320	1259	1186	1123							
				1570	1581	1582	1570	1552										
				1570	1581	1582	1570	1552	1513	1462	1421							
				1739	1750	1769	1774	1769										
				1739	1750	1769	1774	1769	1750	1719	1692	1605						
						1950	1976	1982	1979	1966	1951	1895						
						1958	1984	1990	1987	1974	1959	1903	1825	1728	1618			
								2197	2204	2204	2200	2170	2119					
								2197	2204	2204	2200	2170	2119	2049	1963	1863		

The A-weighted sound power level, LpA, is the value measured in test conditions at the point of maximum noise level.

Centrifugaal ventilator VG-N - VG-N/T

SUCTION CHARACTERISTICS

 •Load tolerance $\pm 5\%$

•Fan	Motor	P inst. [kW]	n	LpA [dB(A)]	Q [m ³ /h]											
					500	575	720	865	1080	1260	1440	1620	1800	2160	2520	2880
VG450/N2	90	2,2	2920	63	374	377	379	379	373	363	349	332				
VG500/N2R	100	3	2920	67	405	408	413	415	414	410	402	390	376	341		
VG500/N2	112	4	2940	68		459	465	469	471	470	465	458	448	422	387	
VG560/N2R	132	5,5	2940	70			516	522	527	529	529	527	521	507	485	456
VG560/N2	132	7,5	2950	71				575	583	586	588	588	586	577	561	539
VG630/N2R	160	11	2960	73					643	649	652	656	656	655	648	636
VG630/N2	160	11	2960	74							729	733	736	739	737	730
VG630/N2	160	15	2960	74							729	733	736	739	737	730
VG710/N2R	160	18,5	2960	75										872	877	876
VG710/N2R	180	22	2960	75										872	877	876
VG710/N2	180	22	2960	76												972
VG710/N2	200	30	2970	77												978
VG800/N2R	200	30	2970	76												
VG800/N2R	200	37	2970	79												
VG800/N2	200	37	2970	77												
VG800/N2	225	45	2970	79												
VG900/N2R	225	45	2970	78												
VG900/N2R	250	55	2970	79												
VG900/N2	250	55	2970	79												
VG900/N2	280	75	2970	81												
VG1000/N2R	280	90	2970	81												
VG1000/N2R	315	110	2980	84												
VG1000/N2	315	110	2980	82												
VG1000/N2	315	132	2980	84												

Centrifugaal ventilator VG-N - VG-N/T

*Noise tolerance $\pm 4\text{dB(A)}$

Q [m³/h]		pt[mmH ₂ O]																
3240	3600	3960	4320	4680	5400	6120	7200	7920	9000	10080	10800	12600	14400	16200	18000	19800		
512	479	440																
619	597	573	543	516														
720	705																	
720	705	688	666	641	581													
869	857	842	822	798	740	670												
869	857	842	822	798	740	670												
971	966	957	945	928	887	833												
977	972	964	951	935	894	840	740	662										
	1107	1107	1104	1099	1079	1047	985											
	1107	1107	1104	1099	1079	1047	985	933	842	738								
			1211	1209	1198	1179	1127	1094										
			1211	1209	1198	1179	1127	1094	1022	935	862							
				1346	1349	1344	1324	1302										
				1346	1349	1344	1324	1302	1257	1201	1157							
					1473	1475	1483	1477	1465									
							1483	1477	1465	1437	1399	1367	1268					
								1624	1636	1635	1625	1606	1589	1529				
									1629	1641	1641	1630	1612	1594	1534	1454	1354	1238
										1785	1782	1773	1764	1725	1668			
										1785	1782	1773	1764	1725	1668	1593	1501	1393

The A-weighted sound power level, LpA, is the value measured in test conditions at the point of maximum noise level.

Centrifugaal ventilator VG-N - VG-N/T

• Model	• Max tpm		
	KLASSE I	KLASSE II	KLASSE III
VG450/R	5000		
VG450	5000		
VG500/R	4750		
VG500	4500	5000	
VG560/R	4250	4750	
VG560	4000	4500	
VG630/R	3850	4150	4500
VG630	3700	3900	4250
VG710/R	3550	3850	4150
VG710	3400	3700	4000
VG800/R	3250	3550	3850
VG800	3000	3300	3600
VG900/R	2900	3200	3500
VG900	3000	3250	3450
VG1000/R	2900	3150	3350
VG1000	3000	3150	3350
VG1120	2700	2900	3100
VG1250	2400	2600	2800
VG1400	2100	2300	2450
VG1600	1850	2000	2100
VG1800	1650	1750	1850
VG2000	1450	1550	1650

• tussen	60°C	• en	100°C	• snelheid verlagig	4%
	100°C		150°C		10%
	150°C		200°C		16%
	200°C		250°C		23%
	250°C		300°C		30%
	300°C		350°C		37%
	350°C		400°C		45%
	400°C		450°C		54%
	450°C		500°C		64%

• Gegevens geldig tot 60°C

pt [mmH₂O]

