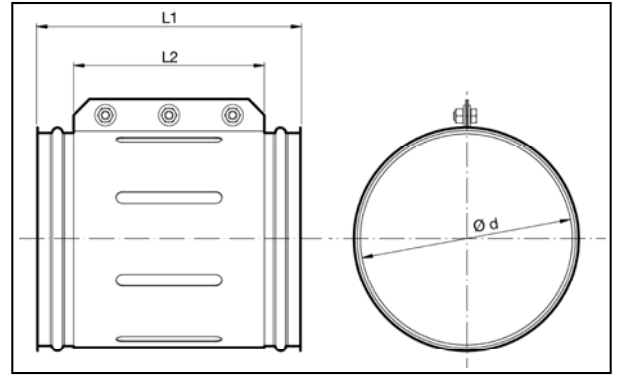


Air bleeds



Air bleeds AABM

Designed to regulate the airflow in an installation by drawing in outside air.

Standard housing longitudinally welded with a stitch-welder.

Material

Sendzimir galvanized.

Type

Rolled sheets stitch-welded and spot-welded, with 6 mm edges for lock rings.

Options

- Different dimensions slots
- Other diameters
- Other types of edges or connections, see Tab 14 'edges and connections'

Ø d mm	code	L1 mm	L2 mm	s mm
80	AABM080	240	180	0.88
100	AABM100	240	180	0.88
120	AABM120	240	180	0.88
140	AABM140	240	180	0.88
150	AABM150	240	180	0.88
160	AABM160	240	180	0.88
180	AABM180	240	180	0.88
200	AABM200	240	180	0.88
225	AABM225	240	180	0.88
250	AABM250	240	180	0.88
275	AABM275	240	180	0.88
300	AABM300	240	180	0.88
315	AABM315	240	180	0.88
350	AABM350	240	180	0.88
400	AABM400	240	180	0.88
450	AABM450	240	180	0.88
500	AABM500	240	180	0.88
550	AABM550	240	180	0.88