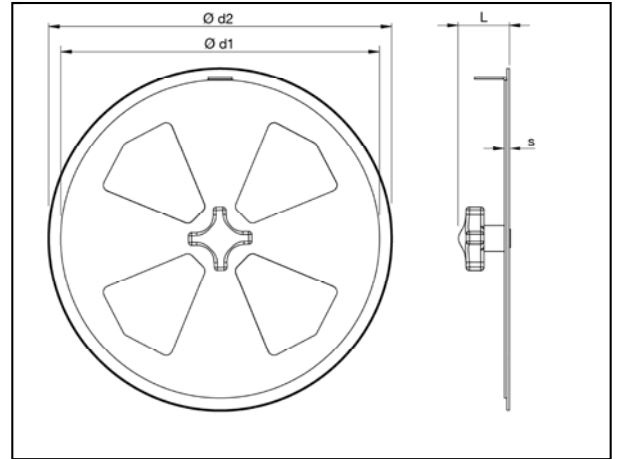


## Adjustable blanking plates



### Adjustable blanking plates AOPA

The adjustable blanking plates are attached to the end of a ducting system or on a branch to manually regulate the airflow.

### Material

Sendzimir galvanized.

### Type

Cut sheets assembled with star knob.

### Options

- Other diameters

**!** Standard application with slim rings.

Ø d1 mm	code	Ø d2 mm	L mm	s mm
80	AOPA080	94	30	1.50
100	AOPA100	114	30	1.50
120	AOPA120	134	30	1.50
140	AOPA140	154	30	1.50
150	AOPA150	164	30	1.50
180	AOPA180	194	30	1.50
200	AOPA200	214	30	1.50
250	AOPA250	264	30	1.50
275	AOPA275	289	30	1.50