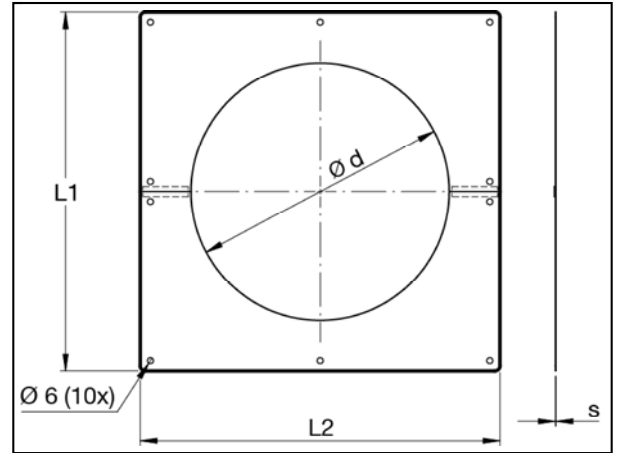
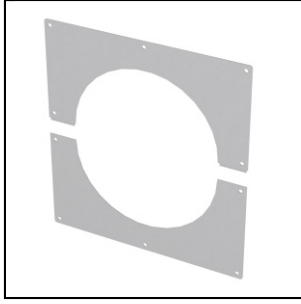


Wall passages



Wall passages AWM

The wall passages are laser cut and divided into two parts, which have an overlap for a smooth finishing.

Material

Sendzimir galvanized.

Type

Cut sheets.

Options

- Other versions (round, square, ...)
- Other sheet thicknesses
- RAL color

Ø d mm	code	Ø d1 mm	L1 mm	L2 mm	s mm
080	AWM080	80 + 2.5	280	280	0.88
100	AWM100	100 + 2.5	300	300	0.88
120	AWM120	120 + 2.5	320	320	0.88
140	AWM140	140 + 2.5	340	340	0.88
150	AWM150	150 + 2.5	350	350	0.88
160	AWM160	160 + 2.5	360	360	0.88
180	AWM180	180 + 2.5	380	380	0.88
200	AWM200	200 + 2.5	400	400	0.88
220	AWM220	220 + 2.5	420	420	0.88
225	AWM225	225 + 2.5	425	425	0.88
250	AWM250	250 + 2.5	450	450	0.88
275	AWM275	275 + 2.5	475	475	0.88
280	AWM280	280 + 2.5	480	480	0.88
300	AWM300	300 + 2.5	500	500	0.88
315	AWM315	315 + 2.5	515	515	0.88
350	AWM350	350 + 2.5	550	550	0.88
355	AWM355	355 + 2.5	555	555	0.88
400	AWM400	400 + 2.5	600	600	0.88
450	AWM450	450 + 2.5	650	650	0.88
500	AWM500	500 + 2.5	700	700	0.88
550	AWM550	550 + 2.5	750	750	0.88
560	AWM560	560 + 2.5	760	760	0.88
600	AWM600	600 + 2.5	800	800	0.88
630	AWM630	630 + 2.5	830	830	0.88
650	AWM650	650 + 2.5	850	850	0.88
700	AWM700	700 + 2.5	900	900	0.88
710	AWM710	710 + 2.5	910	910	0.88
750	AWM750	750 + 2.5	950	950	0.88
800	AWM800	800 + 2.5	1000	1000	0.88
850	AWM850	850 + 2.5	1050	1050	0.88
900	AWM900	900 + 2.5	1100	1100	0.88
950	AWM950	950 + 2.5	1150	1150	0.88
1000	AWMM10	1000 + 2.5	1200	1200	0.88