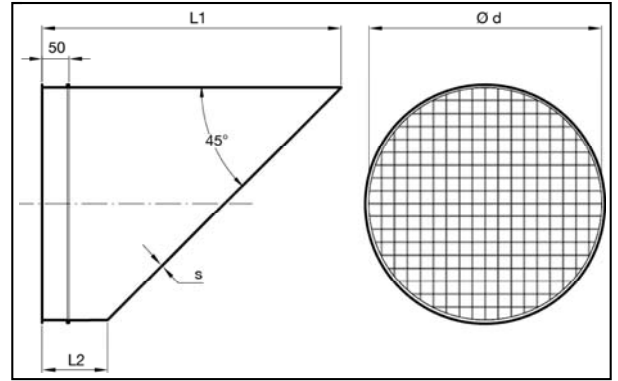


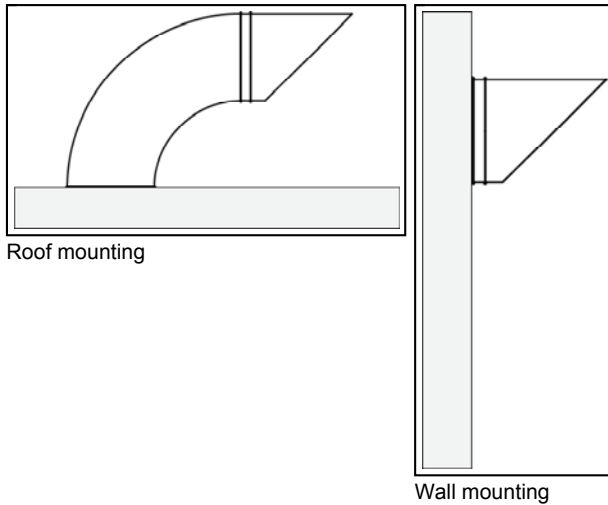
Wall outlets 45° with bird screen



Wall outlets 45° with bird screen AWW

Wall outlets are standard welded with a stitch-welder and provided with a bird screen.

Designed for horizontal mounting. Other mounting orientations are possible with bends.



Material

Sendzimir galvanized.

Grill of 1,5 mm with a mesh of 24 x 24 mm

Type

Rolled sheets stitch-welded, with a 6 mm edge for lock rings.

Options

- Other diameters
- Other sheet thickness
- Full welded versions available from 1.25 mm sheet thickness
- Other types of edges or connections, see Tab 14 'edges and connections'

Ø d mm	code	L1 mm	L2 mm	s mm
120	AWW120	260	145	0.88
140	AWW140	280	145	0.88
150	AWW150	290	145	0.88
160	AWW160	300	145	0.88
180	AWW180	320	145	0.88
200	AWW200	340	145	0.88
225	AWW225	370	145	0.88
250	AWW250	375	125	0.88
275	AWW275	400	125	0.88
300	AWW300	425	125	0.88
315	AWW315	440	125	0.88
350	AWW350	475	125	0.88
400	AWW400	525	125	0.88
450	AWW450	575	125	0.88
500	AWW500	625	125	0.88
550	AWW550	675	125	0.88
600	AWW600	725	125	0.88
630	AWW630	755	125	0.88
650	AWW650	775	125	0.88
700	AWW700	825	125	0.88
750	AWW750	875	125	0.88
800	AWW800	925	125	0.88
850	AWW850	875	125	0.88
900	AWW900	1025	125	0.88
950	AWW950	975	125	0.88
1000	AWWM10	1125	125	0.88