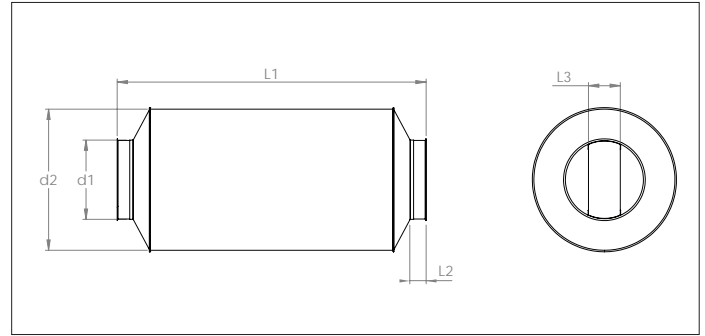
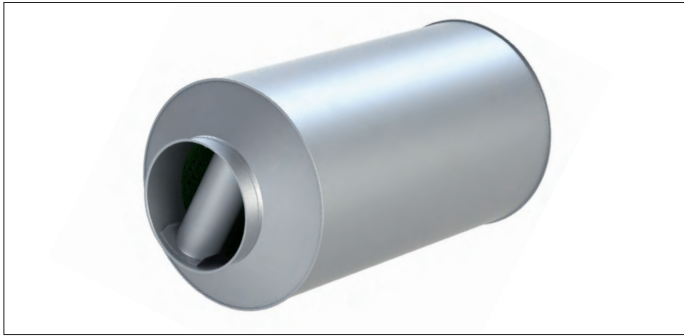


**AS silencers - clean air with baffle L = 2000**



**AS silencers - clean air with baffle L = 2000**

AS silencers are designed to reduce the sound in ducting or in the workshop.

The silencers are made of galvanized sheet metal with sound absorbing material applied on the inside.

**Material**

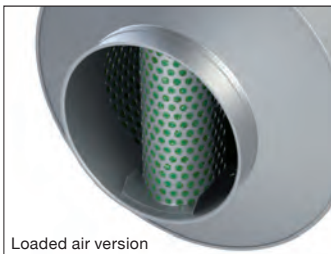
Sendzimir galvanized  
100 mm soundproofing material

**Type**

Rolled stitch-welded sheets with 6 mm edges for lock rings.

**Options**

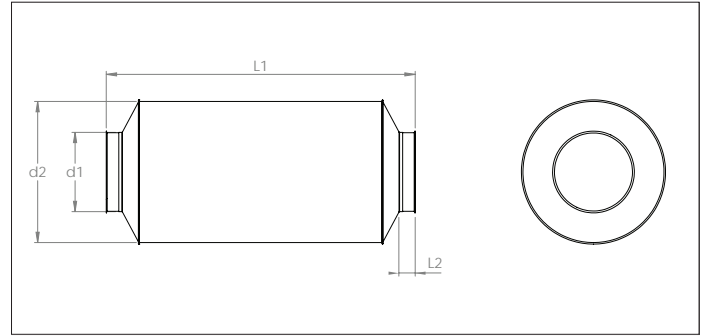
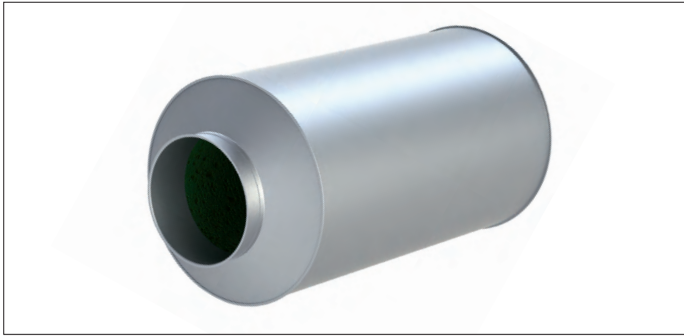
- Other diameters
- Other lengths
- Other sheet thickness
- With perforated sheet metal plate for loaded air (AS20ØPB)
- With Tedlar foil for moist medium
- Stainless steel (AISI 304)
- Painted version
- Other types of edges or connections, see Tab 14 'edges and connections'



Loaded air version

Ø	Model	Ø d1 mm	Ø d2 mm	L1 mm	L2 mm	L3 mm	s mm	Weight kg
225	AS20225SB	225	425	2000	50	100	0.88	33,6
250	AS20250SB	250	450	2000	50	100	0.88	38,4
275	AS20275SB	275	475	2000	50	100	0.88	39,6
300	AS20300SB	300	600	2000	50	100	0.88	40,8
315	AS20315SB	315	515	2000	50	100	0.88	43,2
350	AS20350SB	350	550	2000	50	100	0.88	45,6
400	AS20400SB	400	600	2000	50	100	0.88	48,0
450	AS20450SB	450	650	2000	50	100	0.88	49,0
500	AS20500SB	500	700	2000	50	100	0.88	50,4
550	AS20550SB	550	750	2000	50	100	0.88	52,8
600	AS20600SB	600	800	2000	50	100	0.88	55,2
630	AS20630SB	630	830	2000	50	100	0.88	57,6
650	AS20650SB	650	850	2000	50	100	0.88	62,4
700	AS20700SB	700	900	2000	50	100	0.88	67,2
750	AS20750SB	750	950	2000	50	100	0.88	67,9
800	AS20800SB	800	1000	2000	50	100	0.88	72,8
850	AS20850SB	850	1050	2000	50	100	0.88	76,8
900	AS20900SB	900	1100	2000	50	100	0.88	80,8
950	AS20950SB	950	1150	2000	50	100	0.88	85,8
1000	AS20M10SB	1000	1200	2000	50	100	0.88	90,8

**AS silencers - clean air L = 2000**



**AS silencers - clean air L = 2000**

AS silencers are designed to reduce the sound in ducting or in the workshop.

The silencers are made of galvanized sheet metal with sound absorbing material applied on the inside.

**Material**

Sendzimir galvanized  
100 mm soundproofing material

**Type**

Rolled stitch-welded sheets with 6 mm edges for lock rings.

**Options**

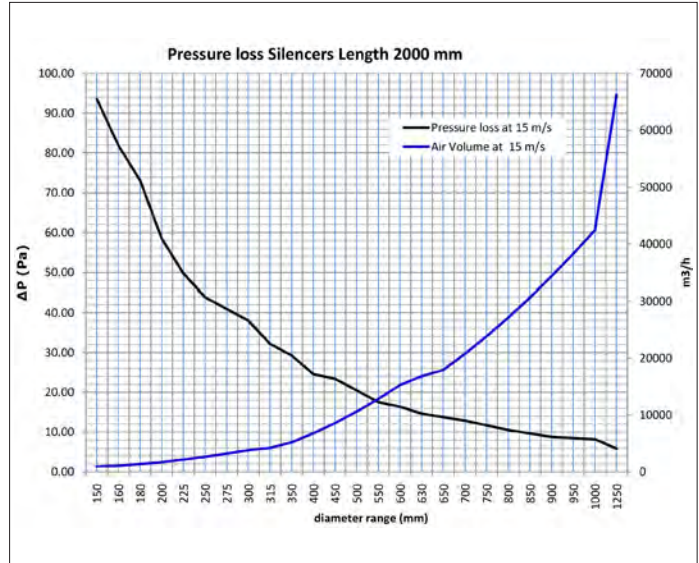
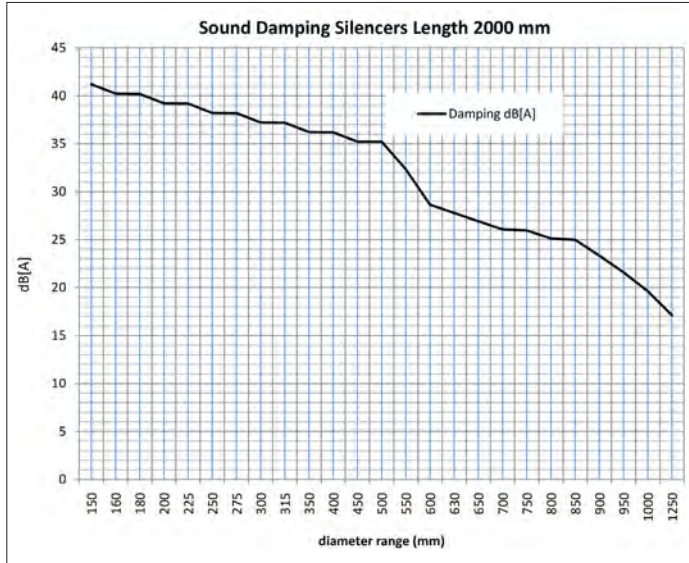
- Other diameters
- Other lengths
- Other sheet thickness
- With perforated sheet metal plate for loaded air (AS20ØPN)
- With Tedlar foil for moist medium
- Stainless steel (AISI 304)
- Painted version
- Other types of edges or connections, see Tab 14 'edges and connections'



Loaded air version

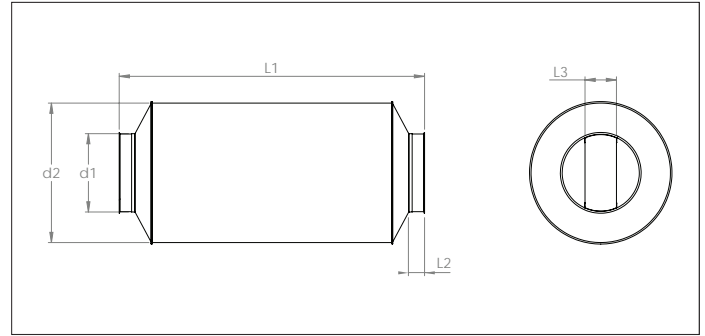
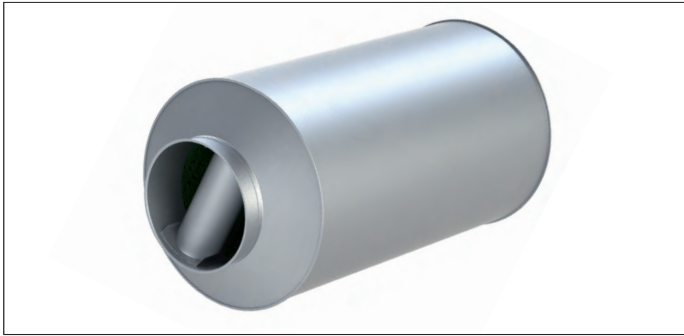
Ø	Model	Ø d1 mm	Ø d2 mm	L1 mm	L2 mm	s mm	Weight kg
150	AS20150SN	150	350	2000	50	0.88	22,0
160	AS20160SN	160	360	2000	50	0.88	23,8
180	AS20180SN	180	380	2000	50	0.88	26,0
200	AS20200SN	200	400	2000	50	0.88	28,0
225	AS20225SN	225	425	2000	50	0.88	28,0
250	AS20250SN	250	450	2000	50	0.88	32,0
275	AS20275SN	275	475	2000	50	0.88	33,0
300	AS20300SN	300	600	2000	50	0.88	34,0
315	AS20315SN	315	515	2000	50	0.88	36,0
350	AS20350SN	350	550	2000	50	0.88	38,0
400	AS20400SN	400	600	2000	50	0.88	40,0
450	AS20450SN	450	650	2000	50	0.88	40,8
500	AS20500SN	500	700	2000	50	0.88	42,0
550	AS20550SN	550	750	2000	50	0.88	44,0
600	AS20600SN	600	800	2000	50	0.88	46,0
630	AS20630SN	630	830	2000	50	0.88	48,0
650	AS20650SN	650	850	2000	50	0.88	52,0
700	AS20700SN	700	900	2000	50	0.88	56,0
750	AS20750SN	750	950	2000	50	0.88	69,1
800	AS20800SN	800	1000	2000	50	0.88	74,0
850	AS20850SN	850	1050	2000	50	0.88	78,0
900	AS20900SN	900	1100	2000	50	0.88	82,0
950	AS20950SN	950	1150	2000	50	0.88	87,0
1000	AS20M10SN	1000	1200	2000	50	0.88	92,0

**AS silencers - clean air L = 2000**



Ø	Model	dB attenuation at frequencies								Damping dB(A)	Pressure loss (Pa)			m³/h		
		63Hz	125Hz	250Hz	500Hz	1kHz	2kHz	4kHz	8kHz		10 m/s	15 m/s	20 m/s	10 m/s	15 m/s	20 m/s
150	AS20150SN	10	17	23	41	22	20	15	17	41	41.60	91.00	228.15	636	954	1272
160	AS20160SN	9	16	23	40	22	19	14	16	40	36.40	78.00	202.80	724	1086	1448
180	AS20180SN	9	15	22	40	21	19	13	16	40	32.50	65.00	187.59	916	1374	1832
200	AS20200SN	9	14	22	39	20	18	12	14	39	26.00	59.80	177.45	1131	1696	2262
225	AS20225SN	8	14	21	39	20	18	12	14	39	22.10	52.00	152.10	1431	2147	2863
250	AS20250SN	8	13	21	38	19	17	11	11	38	19.50	44.20	126.75	1767	2651	3534
275	AS20275SN	8	13	20	38	19	17	11	11	38	18.20	41.60	116.61	2138	3207	4276
300	AS20300SN	7	13	20	37	18	16	10	10	37	16.90	39.00	101.40	2545	3817	5089
315	AS20315SN	7	12	19	37	18	16	10	10	37	14.30	31.20	86.19	2806	4208	5611
350	AS20350SN	7	12	19	36	17	15	9	9	36	13.00	26.00	81.12	3464	5195	6927
400	AS20400SN	6	11	18	36	17	15	9	9	36	10.92	22.10	76.05	4524	6786	9048
450	AS20450SN	6	11	18	35	16	14	8	8	35	10.40	19.50	60.84	5726	8588	11451
500	AS20500SN	6	11	18	35	16	14	8	8	35	9.10	17.94	50.70	7069	10603	14137
550	AS20550SN	5	10	17	32	15	13	7	7	32	7.80	15.60	43.10	8553	12829	17106
600	AS20600SN	5	9	16	28	14	12	6	7	29	7.28	14.30	38.03	10179	15268	20358
630	AS20630SN	4	8	16	27	14	12	6	7	28	6.50	13.00	34.98	11222	16833	22444
650	AS20650SN	4	7	16	26	14	11	6	6	27	6.11	11.70	30.42	11946	17919	23892
700	AS20700SN	4	6	16	25	13	11	6	6	26	5.72	10.40	27.89	13854	20782	27709
750	AS20750SN	4	6	15	25	13	11	5	6	26	5.20	9.75	25.35	15904	23856	31809
800	AS20800SN	4	6	15	24	12	11	5	6	25	4.68	9.10	22.82	18096	27143	36191
850	AS20850SN	3	6	14	24	12	10	5	5	25	4.29	8.45	20.28	20428	30642	40856
900	AS20900SN	3	6	14	22	11	9	4	4	23	3.90	7.80	19.01	22902	34353	45804
950	AS20950SN	2	4	13	20	10	7	4	4	22	3.77	7.28	17.75	25518	38276	51035
1000	AS20M10SN	2	4	13	17	9	7	4	3	20	3.64	6.50	16.48	28274	42412	56549

**AS silencers - clean air with baffle L = 1500**



**AS silencers - clean air with baffle L = 1500**

AS silencers are designed to reduce the sound in ducting or in the workshop.

The silencers are made of galvanized sheet metal with sound absorbing material applied on the inside.

**Material**

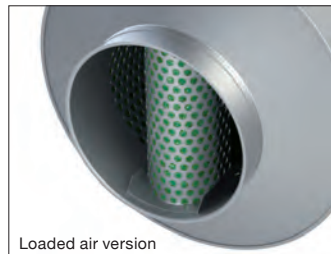
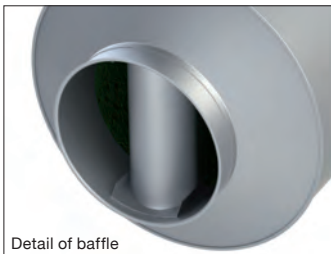
Sendzimir galvanized  
100 mm soundproofing material

**Type**

Rolled stitch-welded sheets with 6 mm edges for lock rings.

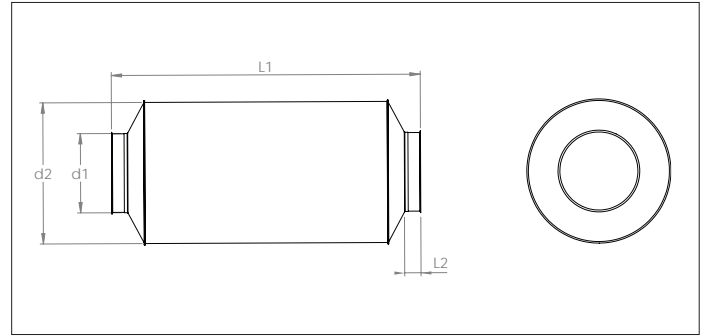
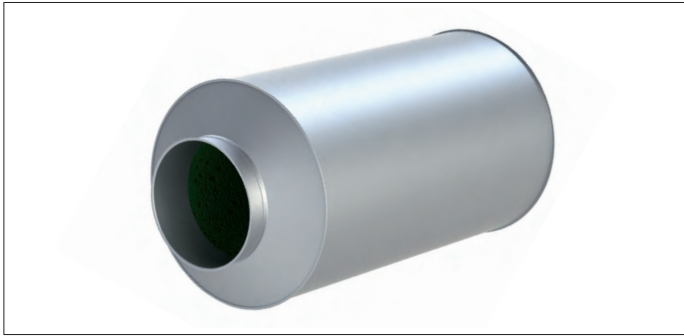
**Options**

- Other diameters
- Other lengths
- Other sheet thickness
- With perforated sheet metal plate for loaded air (AS15ØPB)
- With Tedlar foil for moist medium
- Stainless steel (AISI 304)
- Painted version
- Other types of edges or connections, see Tab 14 'edges and connections'



Ø	Model	Ø d1 mm	Ø d2 mm	L1 mm	L2 mm	L3 mm	s mm	Weight kg
225	AS15225SB	225	425	1500	50	100	0.88	25,2
250	AS15250SB	250	450	1500	50	100	0.88	28,8
275	AS15275SB	275	475	1500	50	100	0.88	29,7
300	AS15300SB	300	600	1500	50	100	0.88	30,6
315	AS15315SB	315	515	1500	50	100	0.88	32,4
350	AS15350SB	350	550	1500	50	100	0.88	34,2
400	AS15400SB	400	600	1500	50	100	0.88	36,0
450	AS15450SB	450	650	1500	50	100	0.88	36,7
500	AS15500SB	500	700	1500	50	100	0.88	37,8
550	AS15550SB	550	750	1500	50	100	0.88	39,6
600	AS15600SB	600	800	1500	50	100	0.88	41,4
630	AS15630SB	630	830	1500	50	100	0.88	43,2
650	AS15650SB	650	850	1500	50	100	0.88	46,8
700	AS15700SB	700	900	1500	50	100	0.88	50,4
750	AS15750SB	750	950	1500	50	100	0.88	74,9
800	AS15800SB	800	1000	1500	50	100	0.88	77,4
850	AS15850SB	850	1050	1500	50	100	0.88	79,4
900	AS15900SB	900	1100	1500	50	100	0.88	81,4
950	AS15950SB	950	1150	1500	50	100	0.88	83,0
1000	AS15M10SB	1000	1200	1500	50	100	0.88	84,6

**AS silencers - clean air L = 1500**



**AS silencers - clean air L = 1500**

AS silencers are designed to reduce the sound in ducting or in the workshop.

The silencers are made of galvanized sheet metal with sound absorbing material applied on the inside.

**Material**

Sendzimir galvanized  
100 mm soundproofing material

**Type**

Rolled stitch-welded sheets with 6 mm edges for lock rings.

**Options**

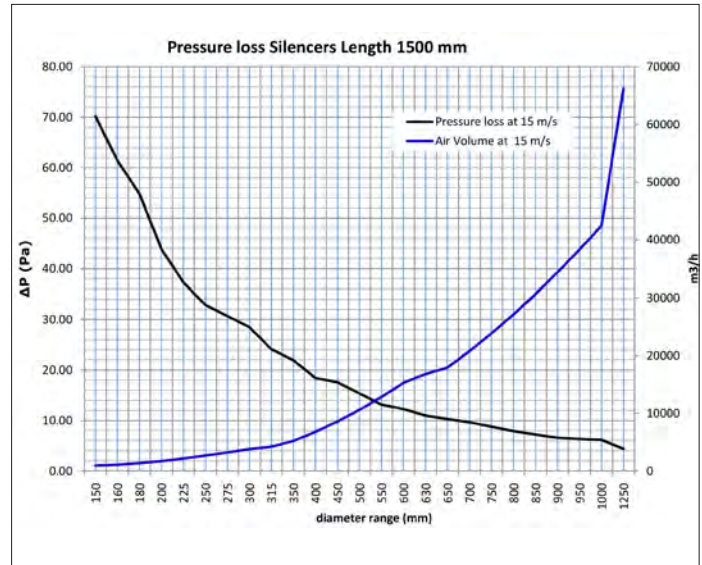
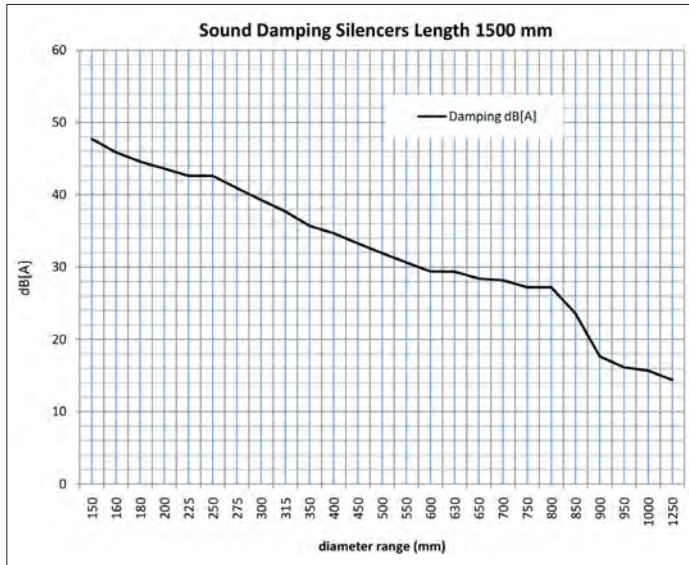
- Other diameters
- Other lengths
- Other sheet thickness
- With perforated sheet metal plate for loaded air (AS15ØPN)
- With Tedlar foil for moist medium
- Stainless steel (AISI 304)
- Painted version
- Other types of edges or connections, see Tab 14 'edges and connections'



Loaded air version

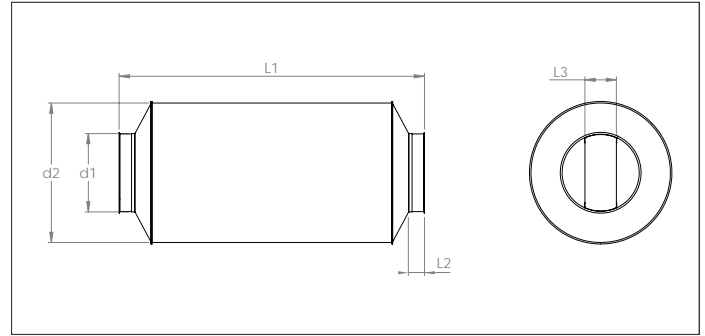
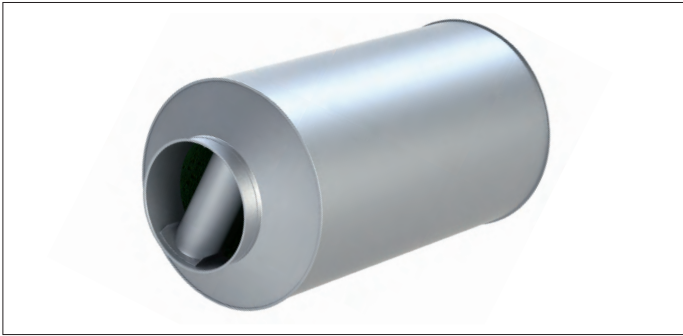
Ø	Model	Ø d1 mm	Ø d2 mm	L1 mm	L2 mm	s mm	Weight kg
150	AS15150SN	150	350	1500	50	0.88	16,5
160	AS15160SN	160	360	1500	50	0.88	17,9
180	AS15180SN	180	380	1500	50	0.88	19,5
200	AS15200SN	200	400	1500	50	0.88	21,0
225	AS15225SN	225	425	1500	50	0.88	21,0
250	AS15250SN	250	450	1500	50	0.88	24,0
275	AS15275SN	275	475	1500	50	0.88	24,8
300	AS15300SN	300	600	1500	50	0.88	25,5
315	AS15315SN	315	515	1500	50	0.88	27,0
350	AS15350SN	350	550	1500	50	0.88	28,5
400	AS15400SN	400	600	1500	50	0.88	30,0
450	AS15450SN	450	650	1500	50	0.88	30,6
500	AS15500SN	500	700	1500	50	0.88	31,5
550	AS15550SN	550	750	1500	50	0.88	33,0
600	AS15600SN	600	800	1500	50	0.88	34,5
630	AS15630SN	630	830	1500	50	0.88	36,0
650	AS15650SN	650	850	1500	50	0.88	39,0
700	AS15700SN	700	900	1500	50	0.88	42,0
750	AS15750SN	750	950	1500	50	0.88	62,4
800	AS15800SN	800	1000	1500	50	0.88	64,5
850	AS15850SN	850	1050	1500	50	0.88	66,2
900	AS15900SN	900	1100	1500	50	0.88	67,8
950	AS15950SN	950	1150	1500	50	0.88	69,2
1000	AS15M10SN	1000	1200	1500	50	0.88	70,5

**AS silencers - clean air L = 1500**



Ø	Model	dB attenuation at frequencies								Damping dB(A)	Pressure loss (Pa)			m³/h		
		63Hz	125Hz	250Hz	500Hz	1kHz	2kHz	4kHz	8kHz		10 m/s	15 m/s	20 m/s	10 m/s	15 m/s	20 m/s
150	AS15150SN	8	18	24	41	46	38	20	19	48	31.20	68.25	133.09	636	954	1272
160	AS15160SN	6	12	23	40	44	35	18	17	46	27.30	58.50	114.08	724	1086	1448
180	AS15180SN	6	11	22	39	43	28	16	15	45	24.38	48.75	95.06	916	1374	1832
200	AS15200SN	4	11	22	38	42	28	16	13	44	19.50	44.85	87.46	1131	1696	2262
225	AS15225SN	4	10	21	37	41	27	15	12	43	16.58	39.00	76.05	1431	2147	2863
250	AS15250SN	4	11	21	37	41	27	15	12	43	14.63	33.15	64.64	1767	2651	3534
275	AS15275SN	3	10	18	36	39	25	13	11	41	13.65	31.20	60.84	2138	3207	4276
300	AS15300SN	3	10	17	35	37	23	11	10	39	12.68	29.25	57.04	2545	3817	5089
315	AS15315SN	3	9	18	34	35	21	10	9	38	10.73	23.40	45.63	2806	4208	5611
350	AS15350SN	3	8	17	33	32	18	9	8	36	9.75	19.50	38.03	3464	5195	6927
400	AS15400SN	3	7	16	32	31	16	7	7	35	8.19	16.58	32.32	4524	6786	9048
450	AS15450SN	2	6	15	31	29	14	6	6	33	7.80	14.63	28.52	5726	8588	11451
500	AS15500SN	2	6	14	30	27	13	5	6	32	6.83	13.46	26.24	7069	10603	14137
550	AS15550SN	2	6	13	29	25	12	5	5	31	5.85	11.70	22.82	8553	12829	17106
600	AS15600SN	2	5	12	28	23	11	4	4	29	5.46	10.73	20.91	10179	15268	20358
630	AS15630SN	2	5	12	28	23	10	4	4	29	4.88	9.75	19.01	11222	16833	22444
650	AS15650SN	2	5	12	27	22	9	3	4	28	4.58	8.78	17.11	11946	17919	23892
700	AS15700SN	2	5	11	27	21	9	3	4	28	4.29	7.80	15.21	13854	20782	27709
750	AS15750SN	2	5	11	26	20	8	2	3	27	3.90	7.31	14.26	15904	23856	31809
800	AS15800SN	2	4	11	26	20	8	2	3	27	3.51	6.83	13.31	18096	27143	36191
850	AS15850SN	1	4	11	20	20	8	2	3	24	3.22	6.34	12.36	20428	30642	40856
900	AS15900SN	1	4	12	14	7	6	3	4	18	2.93	5.85	11.41	22902	34353	45804
950	AS15950SN	1	3	10	12	6	6	3	3	16	2.83	5.46	10.65	25518	38276	51035
1000	AS15M10SN	1	3	10	11	6	5	3	3	16	2.73	4.88	9.51	28274	42412	56549

**AS silencers - clean air with baffle L = 1000**



**AS silencers - clean air with baffle L = 1000**

AS silencers are designed to reduce the sound in ducting or in the workshop.

The silencers are made of galvanized sheet metal with sound absorbing material applied on the inside.

**Material**

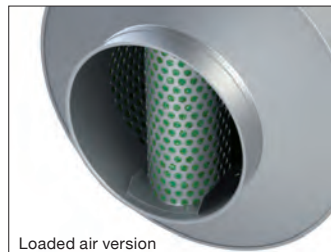
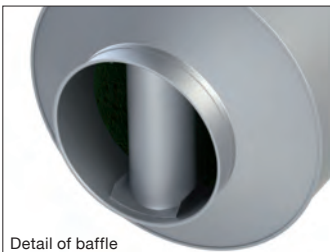
Sendzimir galvanized  
100 mm soundproofing material

**Type**

Rolled stitch-welded sheets with 6 mm edges for lock rings.

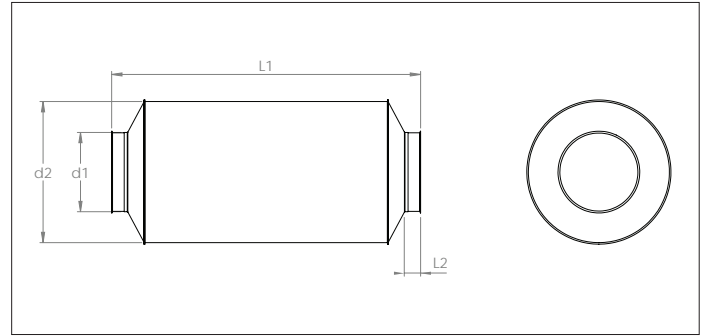
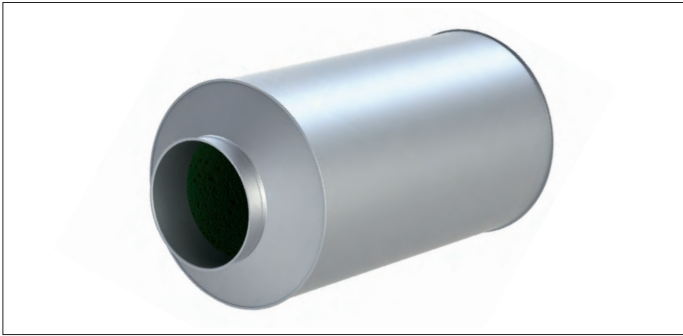
**Options**

- Other diameters
- Other lengths
- Other sheet thickness
- With perforated sheet metal plate for loaded air (AS10ØPB)
- With Tedlar foil for moist medium
- Stainless steel (AISI 304)
- Painted version
- Other types of edges or connections, see Tab 14 'edges and connections'



Ø	Model	Ø d1 mm	Ø d2 mm	L1 mm	L2 mm	L3 mm	s mm	Weight kg
225	AS10225SB	225	425	1000	50	100	0.88	20,4
250	AS10250SB	250	450	1000	50	100	0.88	21,6
275	AS10275SB	275	475	1000	50	100	0.88	22,8
300	AS10300SB	300	600	1000	50	100	0.88	24,0
315	AS10315SB	315	515	1000	50	100	0.88	24,5
350	AS10350SB	350	550	1000	50	100	0.88	25,2
400	AS10400SB	400	600	1000	50	100	0.88	26,4
450	AS10450SB	450	650	1000	50	100	0.88	27,6
500	AS10500SB	500	700	1000	50	100	0.88	28,8
550	AS10550SB	550	750	1000	50	100	0.88	31,2
600	AS10600SB	600	800	1000	50	100	0.88	33,6
630	AS10630SB	630	830	1000	50	100	0.88	35,4
650	AS10650SB	650	850	1000	50	100	0.88	36,8
700	AS10700SB	700	900	1000	50	100	0.88	45,8
750	AS10750SB	750	950	1000	50	100	0.88	49,9
800	AS10800SB	800	1000	1000	50	100	0.88	51,6
850	AS10850SB	850	1050	1000	50	100	0.88	52,9
900	AS10900SB	900	1100	1000	50	100	0.88	54,2
950	AS10950SB	950	1150	1000	50	100	0.88	55,3
1000	AS10M10SB	1000	1200	1000	50	100	0.88	56,4

**AS silencers - clean air L = 1000**



**AS silencers - clean air L = 1000**

AS silencers are designed to reduce the sound in ducting or in the workshop.

The silencers are made of galvanized sheet metal with sound absorbing material applied on the inside.

**Material**

Sendzimir galvanized  
100 mm soundproofing material

**Type**

Rolled stitch-welded sheets with 6 mm edges for lock rings.

**Options**

- Other diameters
- Other lengths
- Other sheet thickness
- With perforated sheet metal plate for loaded air (AS10ØPN)
- With Tedlar foil for moist medium
- Stainless steel (AISI 304)
- Painted version
- Other types of edges or connections, see Tab 14 'edges and connections'

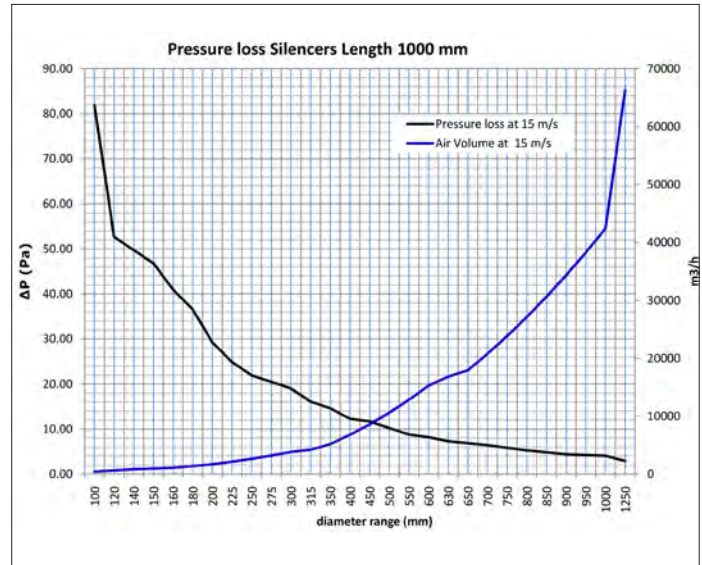
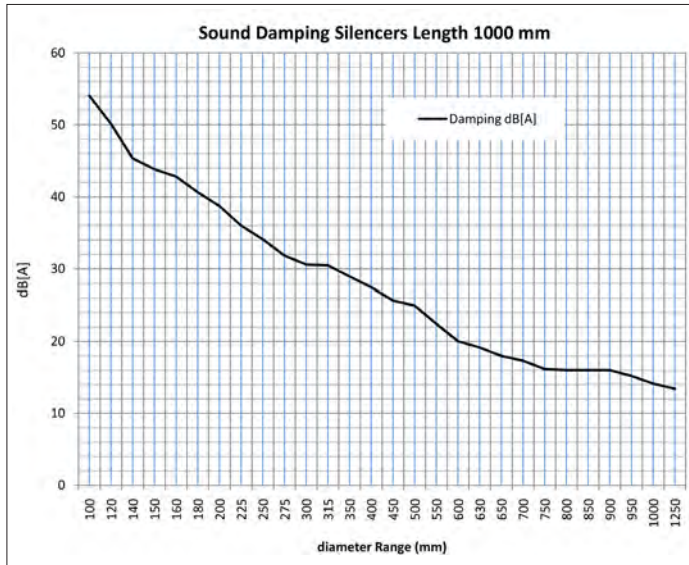


Loaded air version

Ø	Model	Ø d1 mm	Ø d2 mm	L1 mm	L2 mm	s mm	Weight kg
100	AS10100SN	100	300	1000	50	0.88	11,0
120	AS10120SN	120	320	1000	50	0.88	11,9
125	AS10125SN	125	325	1000	50	0.88	12,2
140	AS10140SN	140	340	1000	50	0.88	13,0
150	AS10150SN	150	350	1000	50	0.88	14,0
160	AS10160SN	160	360	1000	50	0.88	14,0
180	AS10180SN	180	380	1000	50	0.88	16,0
200	AS10200SN	200	400	1000	50	0.88	16,5
225	AS10225SN	225	425	1000	50	0.88	17,0
250	AS10250SN	250	450	1000	50	0.88	18,0
275	AS10275SN	275	475	1000	50	0.88	19,0
300	AS10300SN	300	600	1000	50	0.88	20,0
315	AS10315SN	315	515	1000	50	0.88	20,4
350	AS10350SN	350	550	1000	50	0.88	21,0
400	AS10400SN	400	600	1000	50	0.88	22,0
450	AS10450SN	450	650	1000	50	0.88	23,0
500	AS10500SN	500	700	1000	50	0.88	24,0
550	AS10550SN	550	750	1000	50	0.88	26,0
600	AS10600SN	600	800	1000	50	0.88	28,0
630	AS10630SN	630	830	1000	50	0.88	29,5
650	AS10650SN	650	850	1000	50	0.88	30,7
700	AS10700SN	700	900	1000	50	0.88	38,2
750	AS10750SN	750	950	1000	50	0.88	41,6
800	AS10800SN	800	1000	1000	50	0.88	43,0
850	AS10850SN	850	1050	1000	50	0.88	44,1
900	AS10900SN	900	1100	1000	50	0.88	45,2
950	AS10950SN	950	1150	1000	50	0.88	46,1
1000	AS10M10SN	1000	1200	1000	50	0.88	47,0

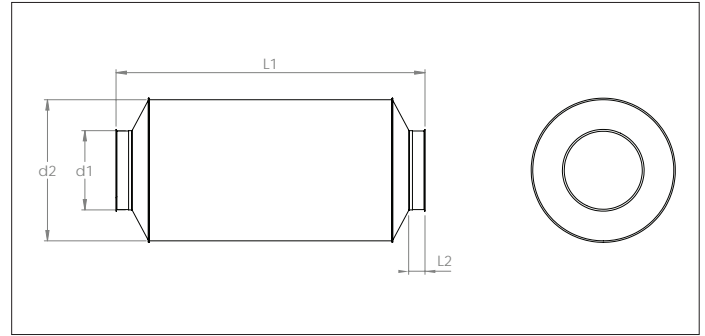
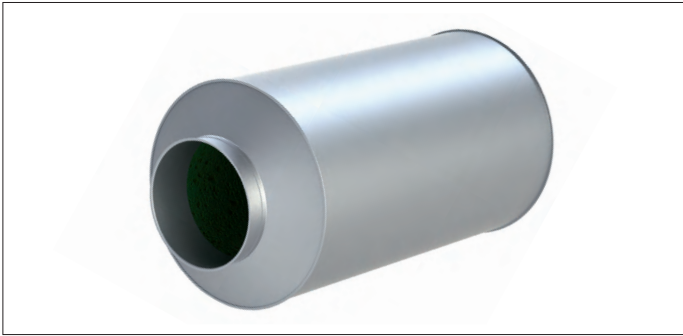


**AS silencers - clean air L = 1000**



Ø	Model	dB attenuation at frequencies								Damping	Pressure loss (Pa)			m³/h		
		63Hz	125Hz	250Hz	500Hz	1kHz	2kHz	4kHz	8kHz		dB(A)	10 m/s	15 m/s	20 m/s	10 m/s	15 m/s
100	AS10100SN	5	17	24	35	50	50	47	25	54	36.40	58.50	114.08	283	424	565
120	AS10120SN	5	15	22	33	48	45	38	21	50	23.40	52.00	101.40	407	611	814
140	AS10140SN	5	12	20	32	44	38	30	19	45	22.10	48.10	93.80	554	831	1108
150	AS10150SN	4	11	19	31	43	34	24	16	44	20.80	45.50	88.73	636	954	1272
160	AS10160SN	5	11	18	30	42	33	22	15	43	18.20	39.00	76.05	724	1086	1448
180	AS10180SN	4	10	17	29	40	28	19	13	41	16.25	32.50	63.38	916	1374	1832
200	AS10200SN	4	9	16	28	38	26	16	12	39	13.00	29.90	58.31	1131	1696	2262
225	AS10225SN	3	8	15	27	35	24	14	10	36	11.05	26.00	50.70	1431	2147	2863
250	AS10250SN	3	8	14	26	33	21	11	9	34	9.75	22.10	43.10	1767	2651	3534
275	AS10275SN	2	8	13	26	30	19	11	8	32	9.10	20.80	40.56	2138	3207	4276
300	AS10300SN	2	9	17	29	23	18	14	5	31	8.45	19.50	38.03	2545	3817	5089
315	AS10315SN	3	6	12	24	29	16	8	7	30	7.15	15.60	30.42	2806	4208	5611
350	AS10350SN	2	4	10	21	28	10	4	4	29	6.50	13.00	25.35	3464	5195	6927
400	AS10400SN	2	5	11	23	25	12	5	5	27	5.46	11.05	21.55	4524	6786	9048
450	AS10450SN	3	6	11	19	24	11	6	4	26	5.20	9.75	19.01	5726	8588	11451
500	AS10500SN	2	4	10	21	22	10	4	4	25	4.55	8.97	17.49	7069	10603	14137
550	AS10550SN	3	5	10	17	20	7	4	4	22	3.90	7.80	15.21	8553	12829	17106
600	AS10600SN	3	5	9	16	16	6	3	3	20	3.64	7.15	13.94	10179	15268	20358
630	AS10630SN	1	3	10	16	12	7	8	3	19	3.25	6.50	12.68	11222	16833	22444
650	AS10650SN	1	3	8	15	10	7	7	2	18	3.06	5.85	11.41	11946	17919	23892
700	AS10700SN	1	2	8	14	9	7	7	2	17	2.86	5.20	10.14	13854	20782	27709
750	AS10750SN	1	2	8	12	8	6	6	3	16	2.60	4.88	9.51	15904	23856	31809
800	AS10800SN	2	3	8	11	7	5	5	4	16	2.34	4.55	8.87	18096	27143	36191
850	AS10850SN	2	3	9	11	7	5	5	5	16	2.15	4.23	8.24	20428	30642	40856
900	AS10900SN	1	4	9	12	6	6	6	6	16	1.95	3.90	7.61	22902	34353	45804
950	AS10950SN	1	3	8	10	6	5	5	5	15	1.89	3.64	7.10	25518	38276	51035
1000	AS10M10SN	0	2	8	8	5	4	4	4	14	1.82	3.25	6.34	28274	42412	56549

**AS silencers - clean air L = 500**



**AS silencers - clean air L = 500**

AS silencers are designed to reduce the sound in ducting or in the workshop.

The silencers are made of galvanized sheet metal with sound absorbing material applied on the inside.

**Material**

Sendzimir galvanized  
100 mm soundproofing material

**Type**

Rolled stitch-welded sheets with 6 mm edges for lock rings.

**Options**

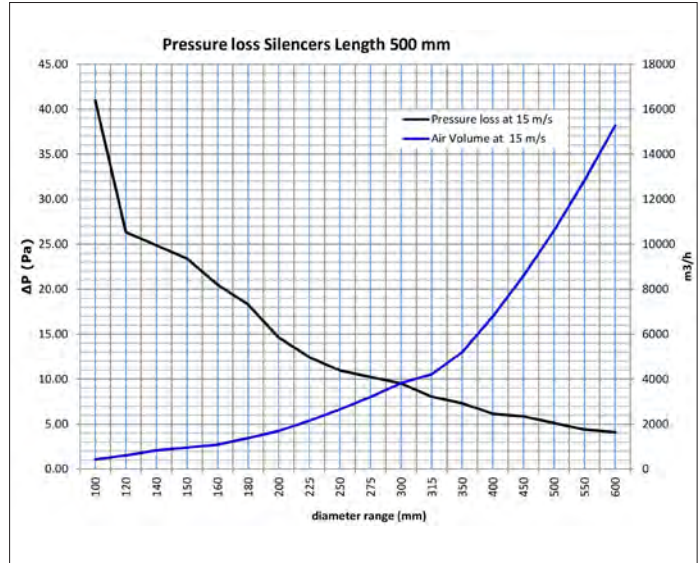
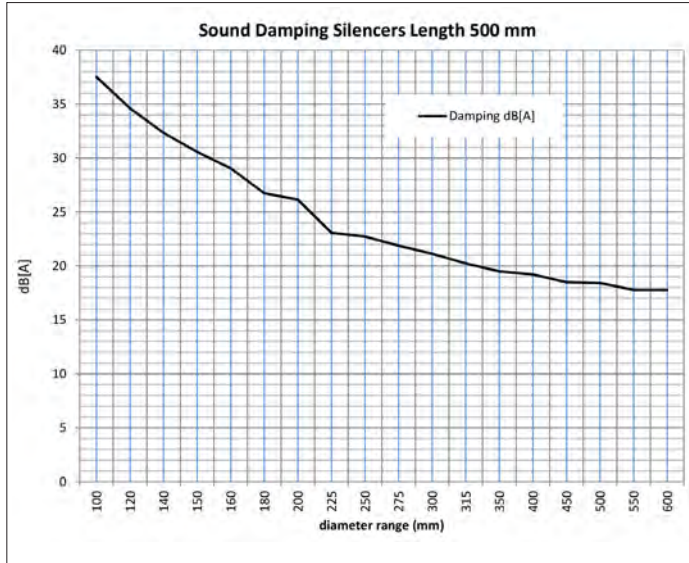
- Other diameters
- Other lengths
- Other sheet thickness
- With perforated sheet metal plate for loaded air (AS05ØPN)
- With Tedlar foil for moist medium
- Stainless steel (AISI 304)
- Painted version
- Other types of edges or connections, see Tab 14 'edges and connections'



Loaded air version

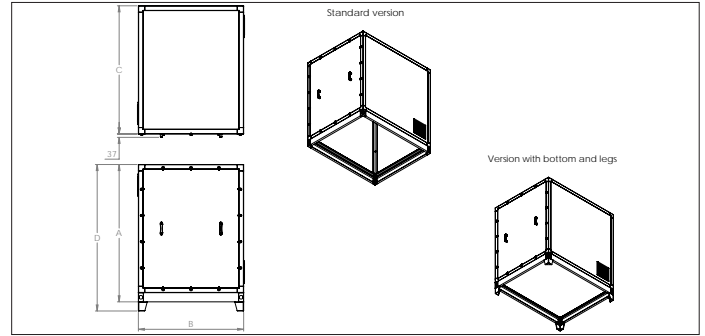
Ø	Model	Ø d1 mm	Ø d2 mm	L1 mm	L2 mm	s mm	Weight kg
100	AS05100SN	100	300	1000	50	0.88	5,5
120	AS05120SN	120	320	1000	50	0.88	6,0
125	AS05125SN	125	325	1000	50	0.88	6,1
140	AS05140SN	140	340	1000	50	0.88	6,5
150	AS05150SN	150	350	1000	50	0.88	7,0
160	AS05160SN	160	360	1000	50	0.88	7,0
180	AS05180SN	180	380	1000	50	0.88	8,0
200	AS05200SN	200	400	1000	50	0.88	8,3
225	AS05225SN	225	425	1000	50	0.88	8,5
250	AS05250SN	250	450	1000	50	0.88	9,0
275	AS05275SN	275	475	1000	50	0.88	9,5
300	AS05300SN	300	600	1000	50	0.88	10,0
315	AS05315SN	315	515	1000	50	0.88	10,2
350	AS05350SN	350	550	1000	50	0.88	10,5
400	AS05400SN	400	600	1000	50	0.88	11,0
450	AS05450SN	450	650	1000	50	0.88	11,5
500	AS05500SN	500	700	1000	50	0.88	12,0
550	AS05550SN	550	750	1000	50	0.88	13,0
600	AS05600SN	600	800	1000	50	0.88	14,0

**AS silencers - clean air L = 500**



Ø	Model	dB attenuation at frequencies								Damping dB(A)	Pressure loss (Pa)			m³/h		
		63Hz	125Hz	250Hz	500Hz	1kHz	2kHz	4kHz	8kHz		10 m/s	15 m/s	20 m/s	10 m/s	15 m/s	20 m/s
100	AS05100SN	4	9	12	18	35	33	26	14	38	18.20	29.25	57.04	283	424	565
120	AS05120SN	3	10	19	33	27	24	16	12	35	11.70	26.00	50.70	407	611	814
140	AS05140SN	2	9	18	30	26	23	15	10	32	11.05	24.05	46.90	554	831	1108
150	AS05150SN	2	9	17	28	24	22	15	9	31	10.40	22.75	44.36	636	954	1272
160	AS05160SN	3	6	9	15	28	20	13	8	29	9.10	19.50	38.03	724	1086	1448
180	AS05180SN	1	8	14	24	20	18	13	7	27	8.13	16.25	31.69	916	1374	1832
200	AS05200SN	3	5	8	15	25	16	9	7	26	6.50	14.95	29.15	1131	1696	2262
225	AS05225SN	1	6	11	20	16	15	10	6	23	5.53	13.00	25.35	1431	2147	2863
250	AS05250SN	2	4	7	14	21	13	6	5	23	4.88	11.05	21.55	1767	2651	3534
275	AS05275SN	2	3	6	14	20	12	5	4	22	4.55	10.40	20.28	2138	3207	4276
300	AS05300SN	2	3	6	14	19	11	4	4	21	4.23	9.75	19.01	2545	3817	5089
315	AS05315SN	2	3	6	13	18	10	4	4	20	3.58	7.80	15.21	2806	4208	5611
350	AS05350SN	1	3	6	13	17	9	3	3	20	3.25	6.50	12.68	3464	5195	6927
400	AS05400SN	1	3	6	12	17	8	3	3	19	2.73	5.53	10.77	4524	6786	9048
450	AS05450SN	1	2	5	12	16	7	4	2	18	2.60	4.88	9.51	5726	8588	11451
500	AS05500SN	1	2	5	12	16	6	4	2	18	2.28	4.49	8.75	7069	10603	14137
550	AS05550SN	1	2	5	12	15	5	3	1	18	1.95	3.90	7.61	8553	12829	17106
600	AS05600SN	1	2	5	12	15	5	3	1	18	1.82	3.58	6.97	10179	15268	20358

**Acoustic booths ASBH**



**Acoustic booths ASBH**

The acoustic booths are designed to reduce the noise levels of the fans placed in them.

The panels are made of sheet metal with a thickness of 1 mm with sound absorbing material applied on the inside.

**Standard execution**

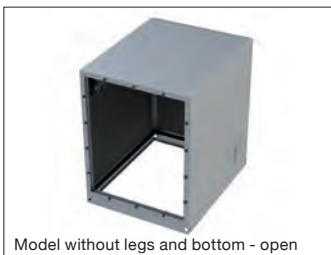
- With cooling fan
- With handle on access doors
- Without bottom and legs

**Material**

Sendzimir galvanized (panels)  
Aluminum (frame)  
25 mm soundproofing material (on panels)

**Options**

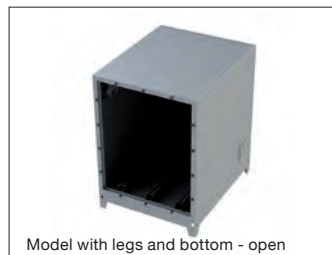
- With bottom and legs (up to size FABH50)
- With 50 mm sound absorbing material
- Other dimensions
- Other sheet thicknesses
- Bigger cooling fan
- Customer specific special execution
- Stainless steel (AISI 304)
- Painted version



Model without legs and bottom - open



Model with legs and bottom



Model with legs and bottom - open

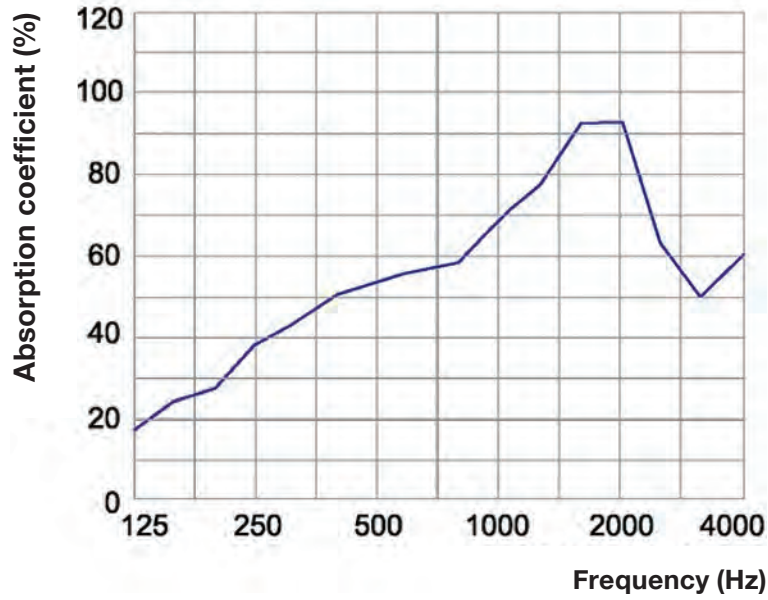


Detail cooling fan

Model	Thickness Soundproofing	Dimensions (mm)				Weight (w/o bottom)	Weight (w. bottom)	Max. load kg
	mm	A	B	C	D	mm	kg	
ASBH30-NR	25	1095	850	850	1195	55	62	110
ASBH40-NR	25	1395	1150	1150	1495	85	102	280
ASBH45-NR	25	1500	1150	1400	1600	105	129	310
ASBH50-NR	25	1800	1450	1700	1900	150	183	610
ASBH75-NR	25	2125	1575	2025	-	205	-	-
ASBH80-NR	25	2325	1870	2225	-	255	-	-
ASBH90-NR	25	2720	2170	2620	-	345	-	-
ASBH100-NR	25	2915	2380	2815	-	395	-	-

**Acoustic booths ASBH**

**Sound absorption efficiency**



**Cooling fan details**

Description	FAB30 / FAB40	FAB45 → FAB110	
Phase	1~	1~	
Type of Voltage	AC	AC	
Nominal voltage (V)	230	230	
Type of data definition	-	Running at free air	
Valid for approval-standard	-	CE	
Frequency (Hz)	50	50	60
Speed (min <sup>-1</sup> )	2650	2550	2800
Power input (W)	19	64	80
Min. ambient temperature °C	-10	-	-
Max. ambient temperature °C	55	60	65
Air flow (m <sup>3</sup> /h)	160	-	-
Sound power level (B)	5,4	-	-
Sound pressure level (dB(A))	46	-	-
Current Draw (A)	-	0,29	0,35
Starting current (A)	-	0,55	0,54
Motor capacitor (µF)	-	1,5	1,5
Capacitor voltage (V)	-	450	450
Capacitor standard	-	PO (CE)	PO (CE)
Max. back pressure (Pa)	-	80	95